

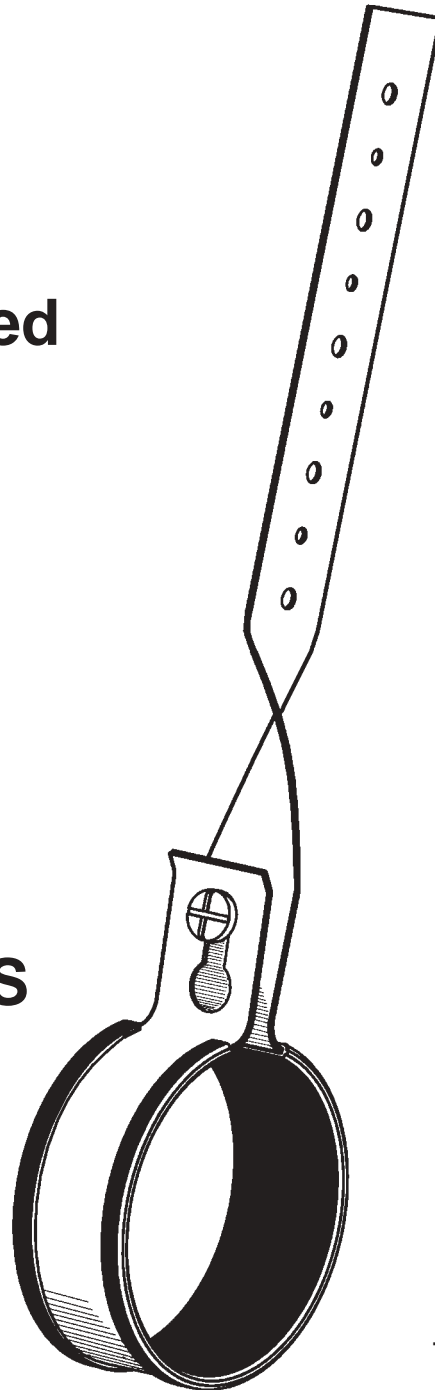
NO. **718**



Established in 1946

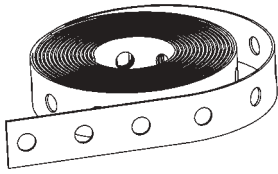
**Proudly  
Manufactured  
in the USA**

**SOLD ONLY  
THROUGH  
WHOLESALEERS**

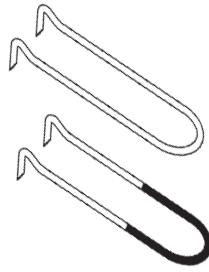


www.gfm.biz  
Philadelphia, PA

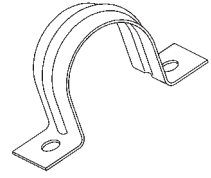
tel: 215-535-4141  
fax: 215-537-5161



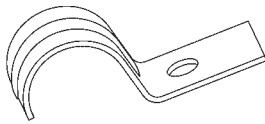
Strapping  
page 1



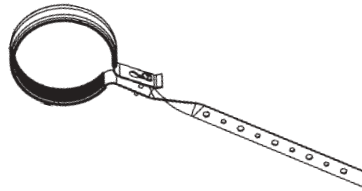
Hooks  
page 2



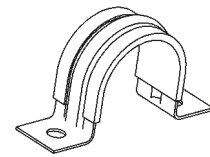
2 Hole Straps  
page 3,4



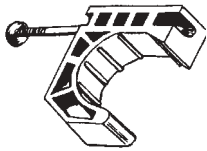
1 Hole Straps  
page 3,4



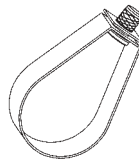
Greenfield Hangers  
page 5



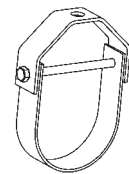
Plastic Coated Hangers  
page 6



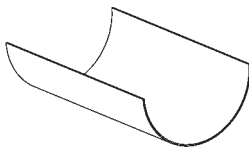
Plastic Clamps  
page 7



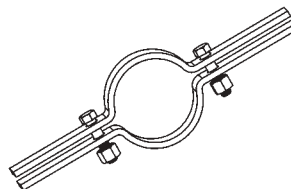
Swivels  
page 8



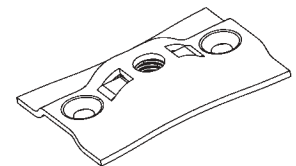
Clevis Hangers  
page 9



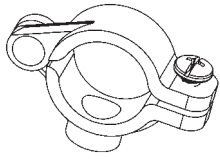
Shields  
page 10



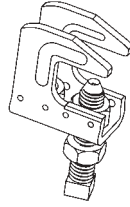
Riser Clamps  
page 10



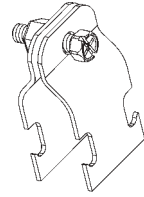
Bowtie Flanges  
page 11



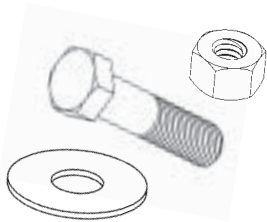
Split Ring Hangers  
page 11



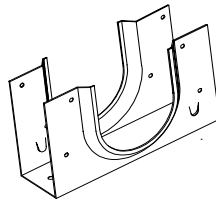
Beam Clamps  
page 12



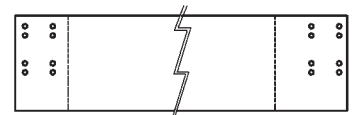
Strut Hardware  
page 13-14



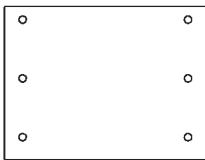
Hardware  
page 15-16



Stud Shoe  
page 18



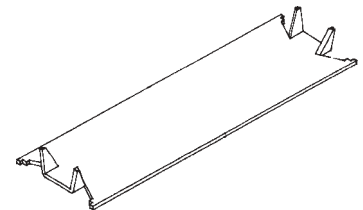
16 Hole Plates  
page 18



Protector/BOCA Plates  
page 19



FHA Plates  
page 19

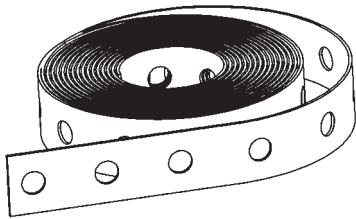
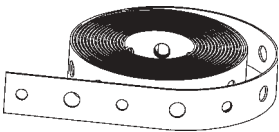
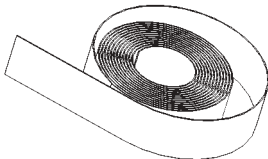


Stud Guards  
page 20

Full Index on back cover

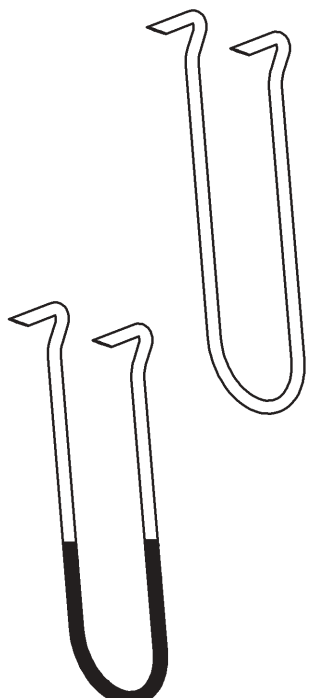
# Perforated Hanger Strapping

List Price per Coil

	Width X Gauge	Wt / Mft	List Price per Coil		
			Bulk 10 ft	Boxed 50 ft	Boxed 100 ft
<b>Galvanized</b> 1/4 bolt holes   <b>fig. 971</b>	3/4 X 28	38	1.40	8.35	15.60
	3/4 X 24	58	1.65	9.60	18.15
	3/4 X 22	72	1.90	10.85	20.60
	3/4 X 20	80	2.15	12.20	23.35
	3/4 X 18	110	4.95	---	---
	1 X 14	220	13.10	20 pcs per Bndl	
	1-1/4 X 12	400	20.65	10 pcs per Bndl	
<b>Steel Plain</b> 1/4 bolt holes  <b>fig. 970</b>	3/4 X 24	58	1.60	9.25	17.45
	3/4 X 20	80	1.85	10.80	20.50
<b>Galvanized Duct Tape</b> Alternate bolt and nail holes   <b>fig. 101</b>	3/4 X 28	38	1.40	8.35	15.60
	3/4 X 24	58	1.65	9.60	18.10
	3/4 X 22	72	1.90	10.85	20.60
<b>Copperclad</b>  <b>fig. 972</b>	3/4 X 24	58	3.65	19.65	39.35
<b>Pure Copper</b>  <b>fig. 974</b>	3/4 X 22	80	24.95	124.70	25' = 62.35
<b>Stainless</b>  <b>fig. 975</b>	3/4 X 22	72	14.45	72.20	---
<b>Plastic - polypropylene</b>  <b>fig. 102</b>	3/4 X .050	15	See page 7.		
<b>No Hole Strapping (Duct Strap)</b>   <b>fig. 106</b>	1 X 30	4.6 ea	---	---	15.75
	1-1/2 X 30	6.9 ea	---	---	23.65
	1 X 26	6.4 ea	---	---	19.65
	1-1/2 X 26	9.6 ea	---	---	28.85
	2 X 26	12.8 ea	---	---	38.00
	1 X 22	10.8 ea	---	---	23.60

Packaging: 500 Ft / Ctn ; 20 ga - 10 Ft packed 25 rolls / ctn

# Tube & Pipe Hooks

		Size X Length	List Price Each		
			Pipe Bright Steel	Copper Tube Copper-clad	Plastic Coated
<b>Bright Steel</b> <b>fig. 197</b> <b>Copperclad</b> <b>fig. 198</b> <b>Plastic Coated</b> <b>fig. 199</b>		1/2 X 4	.25	.29	.87
		3/4 X 4	.25	.29	.87
		1 X 4	.25	.29	.87
		1/2 X 6	.28	.32	.92
		3/4 X 6	.28	.32	.92
		1 X 6	.28	.32	.92
		1-1/4 X 6	.45	.32	1.70
		1-1/2 X 6	.45	.53	1.70
		2 X 6	.45	.53	1.70
		1/2 X 8	.33	.40	1.33
		3/4 X 8	.33	.40	1.33
		1 X 8	.33	.40	1.33
		1-1/4 X 8	.54	.40	2.25
		1-1/2 X 8	.54	.57	2.25
		2 X 8	.54	.57	2.25

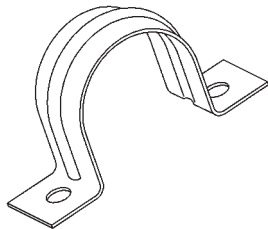
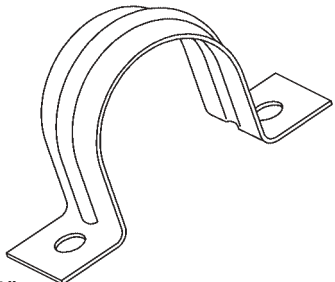
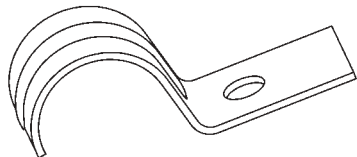

**Weight Per Ctn. (500 Hooks) :**

4" - 25 lbs  
 6" - 32 lbs  
 8" - 40 lbs

**Packaging:** 50 Hooks per box - 500/ctn

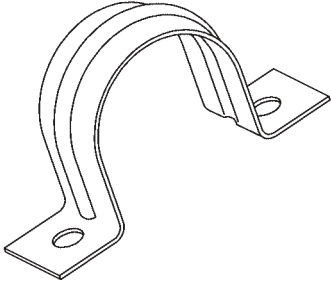
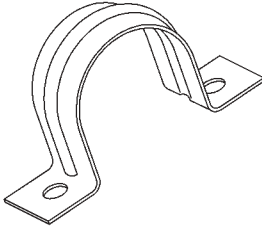
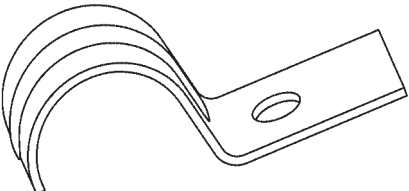
For plastic coated steel pipe hooks order  
 Tube hook of next larger size  
 Example: For 3/4 X 6 pipe - use 1 X 6 tube

# Copper Tube Straps

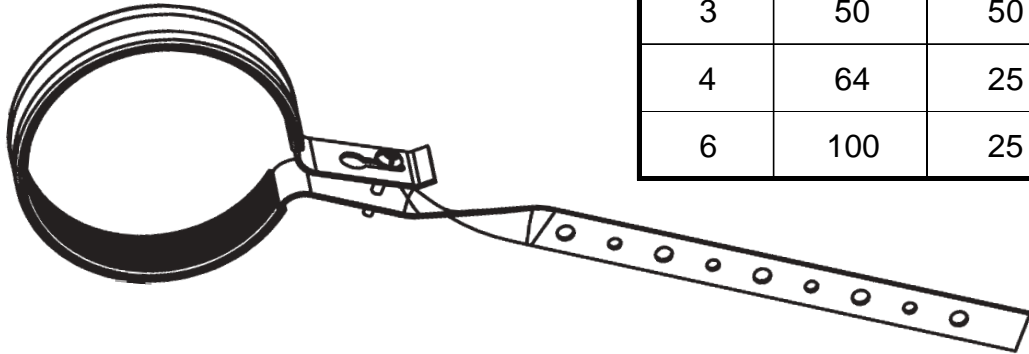
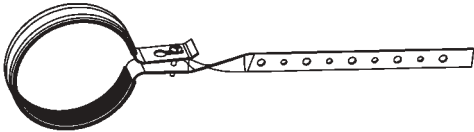
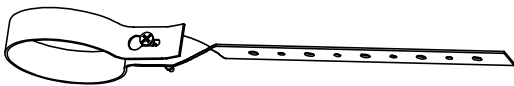
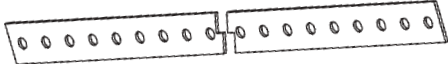
	Size	Weight Per 1000	Quantity Box / Ctn	List Price Each
<b>Copperclad, Two Hole</b>  <b>fig. 500</b>	1/4	6.5	100/2M	.079
	3/8	7	100/2M	.082
	1/2	7.6	100/2M	.082
	3/4	11	100/1M	.091
	1	14	100	.131
	1-1/4	35	100	.250
	1-1/2	45	100	.322
	2	50	100	.355
<b>Copper Plated Nails</b> <b>fig. 509</b>	13 GA X 1	2.3	200 / Bag	.019
<b>Pure Copper, Two Hole</b>  2-1/2" - 4" available upon request <b>fig. 503</b>	1/8	6	100/1M	.26
	1/4	6	100/1M	.26
	3/8	7	100/1M	.26
	1/2	8	100/1M	.28
	3/4	11	100/1M	.33
	1	14	100/1M	.50
	1-1/4	35	25	1.05
	1-1/2	45	25	1.25
	2	50	25	1.50
<b>Copperclad, One Hole</b>  <b>fig. 510</b>	1/8	13	100/2M	.22
	1/4	15	100/1M	.22
	3/8	20	100/1M	.22
	1/2	25	100/1M	.24
	3/4	55	100/1M	.26
	1	67	100	.50
	1-1/4	85	50	1.06
	1-1/2	125	50	1.18
	2	200	50	1.38
<b>J-TubeNailer Copperclad</b> * one nailer for both sizes  <b>fig. 540</b>	1/2 & 3/4*	19	100/2M	.19

# Pipe Straps

## EMT Straps

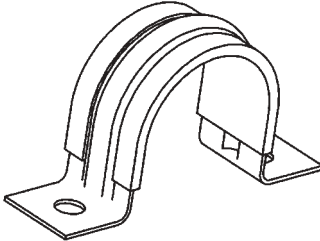
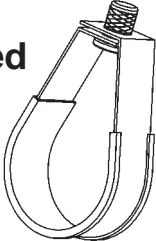
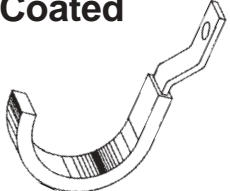
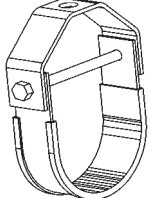

	Size Inches	Weight Per 1000	Carton Quantity	List Price Each	
<b>Pipe Straps, Two Hole, Galvanized</b>    <b>fig. 600</b>	1/4	13	100	.09	
	3/8	25	100	.09	
	1/2	30	100	.10	
	3/4	38	100	.13	
	1	83	100	.25	
	1-1/4	110	50	.33	
	1-1/2	125	50	.45	
	2	200	50	.66	
	2-1/2	250	25	1.05	
	3	330	25	1.18	
	4	400	25	1.77	
	6	840	25	5.25	
8	1500	10	18.40		
<b>Pipe Straps, Two Hole, Stainless (18-8)</b>    <b>fig. 760</b>	1/4	13	100	3.61	
	3/8	25	100	3.61	
	1/2	34	100	3.61	
	3/4	45	100	4.46	
	1	80	50	5.58	
	1-1/4	110	50	6.56	
	1-1/2	125	50	7.20	
	2	170	25	8.65	
	2-1/2	250	25	13.90	
	3	300	25	15.75	
4	400	25	19.70		
<b>Pipe / EMT Straps, One Hole, Galvanized</b>    <b>fig. 610 - Pipe</b> <b>fig. 620 - EMT</b>				PIPE	EMT
	1/4	20	100	.13	---
	3/8	25	100	.16	---
	1/2	55	100	.19	.18
	3/4	95	100	.32	.20
	1	100	100	.37	.25
	1-1/4	125	100	.59	.43
	1-1/2	200	50	1.00	.60
	2	250	50	1.18	1.18
	2-1/2	500	25	5.90	5.90
	3	1000	25	7.90	7.90
4	1500	25	11.80	11.80	

# Greenfield DWV Hangers

	Size Inches	Weight Per 100	Quantity Per Ctn	List Price Each
<b>Greenfield Hanger, Plastic Coated</b>   Material Width = 1.0" <span style="float: right;"><b>fig. 220</b></span>	1-1/2	30	50	2.63
	2	35	50	2.75
	3	50	50	3.05
	4	64	25	3.45
	6	100	25	11.25
<b>LW Greenfield Hanger, Plastic Coated</b>   Material Width = 3/4" <span style="float: right;"><b>fig. 320</b></span>	1-1/2	28	50	2.25
	2	32	50	2.44
	3	36	50	2.63
	4	46	25	2.94
<b>Greenfield Hanger, Galvanized, Uncoated</b>   Material Width = 3/4" <span style="float: right;"><b>fig. 120</b></span>	1-1/2	27	50	1.38
	2	30	50	1.51
	3	34	50	1.58
	4	44	50	1.77
<b>DWV Extension Bar, Galvanized</b>   16 Gauge <span style="float: right;"><b>fig. 221</b></span>	1" x 36"	63	25	1.42



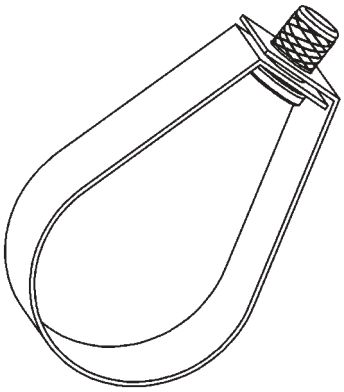
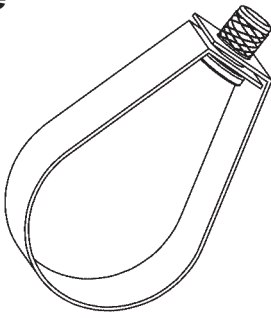
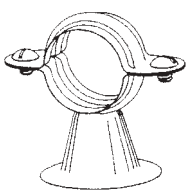
# Plastic Coated Hangers

	Size Inches	Weight Per 100	Quantity Per Ctn	List Price Each
<b>Straps, Plastic Coated</b>    <b>fig. 603</b>	1/2	4	50	1.70
	3/4	5	50	1.70
	1	10	50	1.88
	1-1/4	11	50	2.00
	1-1/2	11	50	2.20
	2	14	50	2.30
	3	34	25	4.00
	4	40	25	5.00
	6	80	10	13.25
	8	150	10	27.50
<b>Adjustable Swivel Ring, Plastic Coated</b>    1/2" - 1-1/4" available upon request  <b>fig. 302</b>	1-1/2	17	50	3.00
	2	16	50	3.15
	3	33	25	4.85
	4	60	25	6.25
	6	125	20	10.35
	8	150	10	25.00
<b>J-Hanger, Plastic Coated</b>    <b>fig. 113</b>	1-1/2	80	25	5.65
	2	80	25	5.65
	3	93	25	7.60
	4	105	25	8.65
	6	270	10	52.50
<b>Clevis, Plastic Coated</b>    1/2" - 1-1/4" available upon request  <b>fig. 404</b>	1-1/2	33	25	2.85
	2	38	25	3.25
	3	70	25	5.50
	4	110	25	7.15
	6	350	10	21.25
	8	500	10	30.00
<b>Riser Clamps, Plastic Coated</b>    <b>fig. 107</b>	1-1/2	100	25	9.05
	2	100	25	9.05
	3	120	25	11.25
	4	150	25	16.25
	6	450	10	24.95

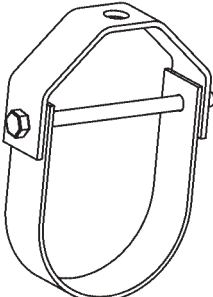
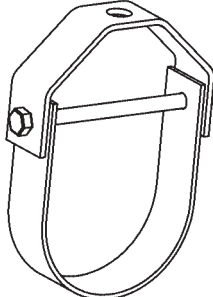
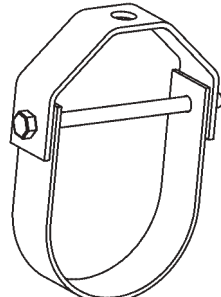
# Plastic Hangers

	Size	Weight Per 100	Quantity Box / Ctn	List Price Each
<b>Plastic Strapping Polypropylene</b>  1/8 Dia. Holes Max working load, 15# @ -20 °F. to 120 °F. Breaking strength, 100# @ 68 °F. <b>fig. 102</b>	10'	15	bulk / 100	1.84
	25'	37	1 / 40	3.68
	50'	75	1 / 20	7.35
	100'	150	1 / 10	14.57
<b>Plastic Half Clamp</b>  C. T. Size Material: HDPE <b>fig. 511</b>	1/2	1.0	100 / 1M	.165
	3/4	1.5	100 / 1M	.185
	1	2.2	50 / 500	.58
<b>Single Shot</b>  C. T. Size Material: Copper Safe PP <b>fig. 513</b>	1/2	1.7	50 / 500	.50
	3/4	1.9	50 / 500	.63
<b>Suspension Clamp</b>  C. T. Size Material: PP <b>fig. 515</b>	1/2	1.0	100 / 1M	.34
	3/4	1.5	100 / 1M	.38
	1	1.5	50 / 500	1.05
	1-1/4	1.6	25 / 250	2.56
	1-1/2	1.7	25 / 250	2.76
	2	2.0	25 / 250	3.61
<b>2 - Hole Plastic Tube Clamp</b>  C. T. Size Material: PP <b>fig. 517</b>	1/2	1.0	100 / 500	.43
	3/4	1.1	100 / 500	.47
	1	1.4	50 / 250	1.12
	1-1/4	1.6	25 / 250	1.31
	1-1/2	1.8	25 / 250	1.64
	2	2.4	25 / 250	2.23
<b>2 - Hole Plastic Pipe Strap</b> 1" - 2" available upon request Iron Pipe Size Material: PP  <b>fig. 518</b>	1/2	.80	250	.55
	3/4	1.0	250	.55

# Hangers

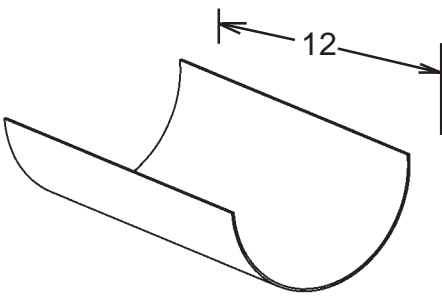
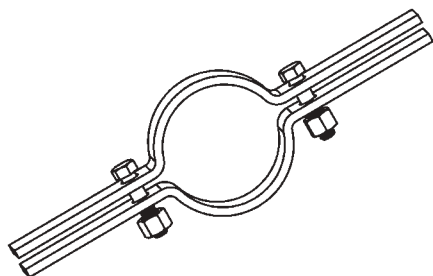
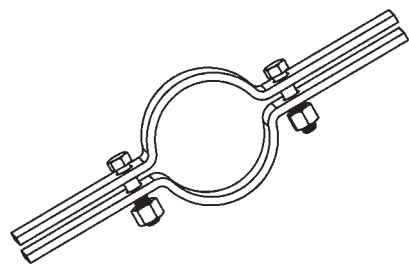
	Size Inches	Weight Per 100	Quantity Per Ctn	List Price Each
<b>Adj. Swivel Ring, Galvanized IPS</b>  <p>1/2" to 4" - 3/8 Rod 5" to 8" - 1/2 Rod</p> <p style="text-align: right;"><b>fig. 300</b></p>	1/2	11	100	1.18
	3/4	11	100	1.18
	1	11	100	1.25
	1-1/4	12	100	1.29
	1-1/2	13	100	1.34
	2	14	100	1.42
	2-1/2	28	50	2.63
	3	32	50	3.02
	4	55	25	4.20
	5	60	25	5.51
	6	60	20	6.23
	8	140	10	7.22
<b>Adj. Swivel Ring, Copper Tube</b>  <p>1/2" to 4" - 3/8 Rod</p> <p style="text-align: right;"><b>fig. 301</b></p>	1/2	11	100	1.39
	3/4	11	100	1.42
	1	11	100	1.47
	1-1/4	12	100	1.50
	1-1/2	13	100	1.52
	2	14	100	1.67
	2-1/2	16	50	2.78
	3	28	50	5.25
	4	36	25	6.04
<b>Bell Hanger</b> C. T. Size Epoxy Coated Steel  <p style="text-align: right;"><b>fig. 430</b></p>	1/2	6	25 / 500	1.31
	3/4	6	25 / 500	1.44
	1	6	25 / 500	1.58
	1-1/4	7	25	2.10
	1-1/2	8	25	2.90
	2	10	25	4.20

# Clevis Hangers

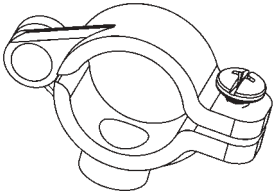
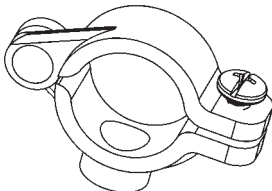
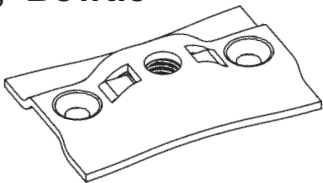
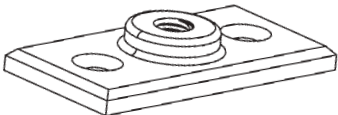
	Size Inches	Weight Per 100	Quantity Per Ctn	List Price Each
<b>Light Clevis</b>    *Please call for availability <b>fig. 104</b>	1/2	13	100	0.98
	3/4	14	100	1.03
	1	18	100	1.08
	1-1/4	22	100	1.12
	1-1/2	28	100	1.22
	2	35	50	1.35
	2-1/2	65	25	2.50
	3	65	25	2.63
	4	110	25	3.28
	6*	155	10	6.20
	8*	322	10	11.00
	10*	556	bulk	22.05
<b>Clevis, Copper Tube Copper Plated</b>    <b>fig. 406</b>	1/2	10	100	1.29
	3/4	10	100	1.31
	1	12	100	1.48
	1-1/4	18	100	1.58
	1-1/2	24	100	1.67
	2	36	50	1.90
	2-1/2	41	25	4.33
	3	50	25	4.95
	4	100	25	6.08
	5	198	25	15.75
	6	220	25	17.40
<b>Standard Clevis Available to 28"</b>    Plain - <b>fig. 204</b> Add 50% Zinc Plated - <b>fig. 304</b>	1/2	18	100	1.21
	3/4	22	100	1.21
	1	25	100	1.34
	1-1/4	35	100	1.50
	1-1/2	35	100	1.58
	2	42	50	1.81
	2-1/2	84	25	3.47
	3	98	25	3.47
	4	170	25	4.20
	5	250	15	6.04
	6	330	10	7.35
	8	500	10	13.13
	10	900	bulk	26.25
12	1100	bulk	34.15	

# Hangers

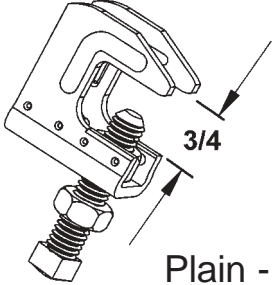
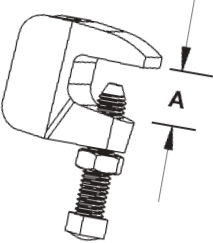
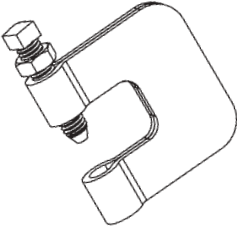
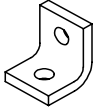
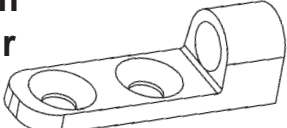
**Size**    **Weight**    **Quantity**    **List Price**  
**Inches**    **Per 100**    **Per Ctn**    **Each**

		O.D.	GAGE	CLEVIS SIZE			
<b>Shields, Insulation Galvanized</b>   <b>fig. 105</b>		1.9	18	1-1/2	64	50	3.41
		2.4	18	2	64	50	3.94
		2.9	18	2-1/2	76	50	4.33
		3.5	18	3	92	50	5.00
		4.5	18	4	120	50	6.23
		5.6	18	5	160	25	7.61
		6.7	18	6	180	25	10.50
		8.7	18	8	280	25	13.91
		10.8	18	10	350	bulk	16.40
		12.8	18	12	420	bulk	22.64
<b>Riser Clamp, Iron Pipe Size</b>   Plain - <b>fig. 108</b> Add 50% Zinc Plated - <b>fig. 308</b>		1/2			80	25	3.54
		3/4			80	25	3.54
		1			80	25	3.68
		1-1/4			110	25	4.20
		1-1/2			125	25	4.33
		2			140	25	4.63
		2-1/2			170	25	4.87
		3			190	25	5.25
		4			210	25	6.83
		5			370	15	10.50
		6			420	10	11.50
8			800	bulk	26.25		
10			1150	bulk	32.80		
<b>Riser Clamp, Copper Tube Size Copper Plated</b>   <b>fig. 410</b>		1/2			60	25	4.20
		3/4			60	25	4.20
		1			65	25	4.33
		1-1/4			72	25	5.05
		1-1/2			74	25	5.38
		2			105	25	6.43
		2-1/2			168	25	8.40
		3			178	25	10.50
		4			205	25	13.13
		5			346	20	24.95
6			386	10	32.15		

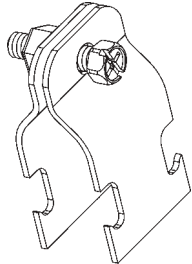
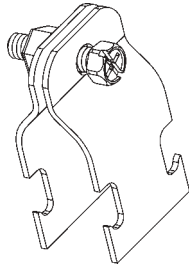
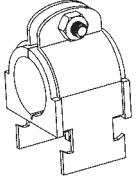
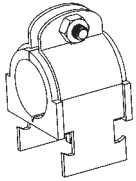
# Split Ring Hangers

	Size Inches	Weight Per 100	Quantity Per Ctn	List Price Each	
				Plain	Plated
<b>Split Ring, Iron Pipe Size Ductile Iron</b>    3/8" to 2" - 3/8 Rod      Plain - <b>fig. 202</b> 2-1/2" to 4" - 1/2 Rod    Zinc Plated - <b>fig. 385</b>	3/8	10	50	1.84	2.10
	1/2	10	50	1.84	2.10
	3/4	12	50	1.97	2.17
	1	14	50	2.23	2.69
	1-1/4	19	25	2.69	3.02
	1-1/2	21	25	3.15	3.61
	2	30	25	3.61	4.33
	2-1/2	43	25	9.65	11.81
	3	52	25	12.40	14.44
	4	67	25	17.90	19.69
<b>Split Ring, Copper Tube Ductile Iron</b>    3/8" to 2" - 3/8 Rod 2-1/2" to 4" - 1/2 Rod <b>fig. 485</b>	3/8	8	50	1.84	
	1/2	8	50	1.90	
	3/4	9	50	2.03	
	1	11	50	2.30	
	1-1/4	12	25	2.63	
	1-1/2	14	25	3.15	
	2	23	25	3.41	
	2-1/2	37	25	10.50	
	3	45	25	15.75	
4	67	25	18.40		
<b>Flange, Bowtie</b>    Plain <b>fig. 208</b>  Galvanized <b>fig. 389</b>  Copperclad <b>fig. 489</b>  <b>Made in USA</b>	3/8	16.5	100	1.38	
	3/8	16.5	100	1.71	
	3/8	16.5	100	1.84	
<b>Flange, Ductile Iron</b>    Plain <b>fig. 820</b>  Galvanized <b>fig. 821</b>  Epoxy Coated <b>fig. 822</b>  <b>Import</b> Flanges Tapped for 3/8 & 1/2 Rod	3/8	15	100	1.38	
	1/2	16	100	2.23	
	3/8	15	100	1.71	
	1/2	16	100	2.43	
	3/8	15	100	1.84	
	1/2	16	100	2.63	

# Attachments

	Size Inches	Weight Per 100	Quantity Per Ctn	List Price Each	
				Plain	Plated
<b>Top Beam Clamp</b>  Steel Made in USA Patent # 8882056 Plain - <b>fig. 125</b> Plated - <b>fig. 325</b>	3/8	25	100	1.90	2.75
<b>Top Beam Clamp, Ductile Iron</b>  Junior A = 3/4" Plain - <b>fig. 825</b> Plated - <b>fig. 826</b> Wide Throat A = 1-1/4" Import <b>fig. 126</b>	3/8	28	100	1.90	2.75
	1/2	35	100	2.63	4.20
	5/8	42	50	4.60	6.95
	3/4	84	25	7.35	10.50
	3/8	36	50	4.33	----
	1/2	36	50	5.25	----
<b>"C" Clamps</b>  W/O Locknut <b>fig. 122</b> W/ Locknut <b>fig. 123</b>	1/4	45	50	2.10	----
	3/8	40	100	1.75	----
	1/2	47	100	2.56	----
	3/8	41	100	2.03	----
	1/2	48	50	2.89	----
	5/8	75	50	6.56	----
	3/4	82	50	9.85	----
<b>Angle Clip</b>  <b>fig. 118</b>	3/8	25	100	1.64	----
	1/2	30	50	2.04	----
<b>Side Beam Connector</b>  <b>fig. 191</b>	3/8	13	100	1.44	----
	1/2	25	50	2.43	----

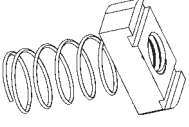
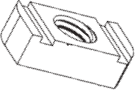
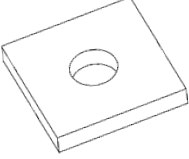
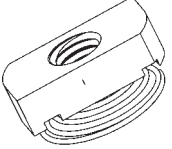
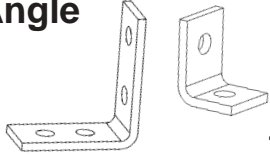
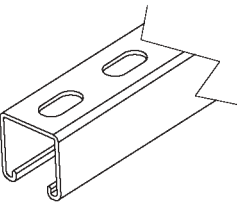
# Strut Hardware

	Size Inches	Weight Per 100	Quantity Per Ctn	List Price Each
<b>Strut Clamp-IPS</b> <b>Zinc Plated</b>  <b>fig. 311</b>	3/8	12	50	1.31
	1/2	13	50	1.31
	3/4	15	50	1.60
	1	18	50	1.73
	1-1/4	22	50	2.10
	1-1/2	32	50	2.30
	2	37	50	2.43
	2-1/2	42	25	2.75
	3	49	25	3.15
	4	70	25	4.20
	5	80	10	5.25
	6	90	10	6.95
	8	124	25	11.15
<b>Strut Clamp-CT</b> <b>Copper Plated</b>  <b>fig. 411</b>	1/2	9	50	1.95
	3/4	11	50	2.10
	1	15	50	2.30
	1-1/4	18	50	2.40
	1-1/2	22	50	2.45
	2	31	50	3.15
	2-1/2	35	25	4.20
	3	42	25	4.60
	4	60	25	6.00
<b>Cushion Clamp-IPS</b> <b>Zinc Yellow</b>  <b>fig. 317</b> 2-1/2" - 6" available upon request	1/2	21	25/100	5.58
	3/4	29	25/100	6.55
	1	41	25/100	8.15
	1-1/4	45	10/40	9.85
	1-1/2	49	10/40	10.90
	2	56	10/40	14.45
<b>Cushion Clamp-CT</b> <b>Zinc Yellow</b>  <b>fig. 417</b> 2-1/2" - 4" available upon request	1/2	13	25/100	4.92
	3/4	21	25/100	5.58
	1	29	25/100	6.95
	1-1/4	40	10/40	8.15
	1-1/2	45	10/40	9.30
	2	53	10/40	13.15

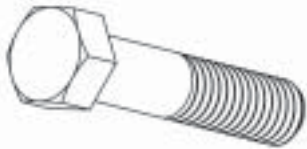
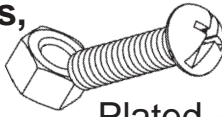
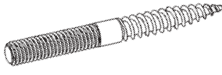

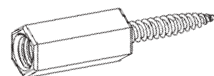
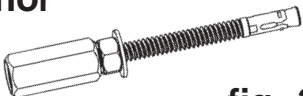


# Strut Hardware


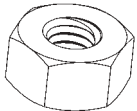
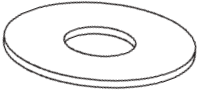

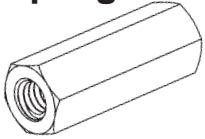
## Tools

	Size Inches	Weight Per 100	Quantity Per Ctn	List Price Each	
<b>Strut Nut, Spring</b>  <b>fig. 310</b>	3/8	10	100	1.60	
	1/2	13	100	1.70	
<b>Strut Nut, No Spring</b>  <b>fig. 315</b>	3/8	9.4	100	1.18	
	1/2	8.6	100	1.31	
<b>Strut Washer</b>  <b>fig. 313</b>	3/8	18	100	1.60	
	1/2	18	100	1.60	
	1-5/8 SQ X 1/4 THK				
<b>Twirl Nut</b>  <b>fig. 309</b>	3/8	10	100	1.75	
<b>Strut Angle</b>  <b>fig. 316</b>	2 hole	38	50	2.63	
	4 hole	78	25	5.25	
<b>10' Strut</b>  Elongated holes	<b>Galv</b>	1-5/8 - 12 GA	19.00 EA	50/bndl	48.50
	<b>fig. 930</b>	13/16 - 14 GA	9.50 EA	50/bndl	30.00
	<b>Green</b>	1-5/8 - 12 GA	19.00 EA	50/bndl	57.00
	<b>fig. 931</b>	13/16 - 14 GA	9.50 EA	50/bndl	32.80
	<b>Green</b>	1-5/8 - 14 GA	14.00 EA	50/bndl	40.00
<b>fig. 932</b>					

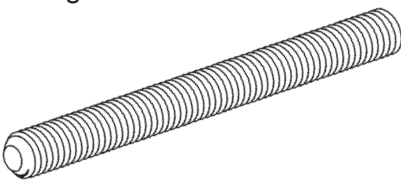
# Hardware



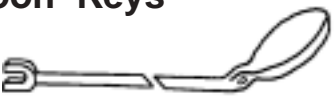
	Size Inches	Weight Per 100	Quantity Per Ctn	List Price Each	
				Plain	Plated
<b>Hex Head Bolts ASTM A307a</b>    Plain- fig. 156 Plated- fig. 356	5/8 X 2	23	50	.77	1.09
	2-1/2	27	50	.92	1.29
	3	32	50	1.04	1.45
	3-1/2	36	50	1.18	1.65
	4	40	50	1.31	1.84
	4-1/2	44	50	1.58	2.25
	5	49	50	1.65	2.30
	3/4 X 2	35	50	1.27	1.79
	2-1/2	41	50	1.42	2.00
	3	48	50	1.68	2.35
	3-1/2	54	50	1.84	2.55
	4	60	25	2.10	2.95
	4-1/2	66	25	2.35	3.30
	5	72	25	2.55	3.55
	<b>Stove Bolts, With Nuts</b>   Plated - fig. 160	1/4 X 1	2.2	100	----
1/4 X 1-1/2		3.1	100	----	.18
1/4 X 2		3.6	100	----	.23
<b>Lag Screw</b>   fig. 155	1/4 X 3	3	100	.76	----
	3/8 X 3-1/2	8.5	100	.76	----
	1/2 X 4	17	25	2.30	----
<b>Lag Rod</b>   fig. 154	3/8 X 4	10	100	.92	----
	6	15	100	1.12	----
	8	19	50	1.95	----
	1/2 X 6	32	50	2.90	----
<b>Stanley Screw</b>   for wood fig. 358	3/8	5.80	25/100	----	1.18
<b>Elliott Anchor</b>   for concrete fig. 360	1/4	8.30	25/100	----	1.85
	3/8	15.50	25/100	----	1.85

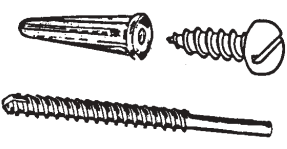
# Hardware

	Size Inches	Weight Per 100	Quantity Per Ctn	List Price Each	
				Plain	Plated
<b>Hex Nuts Grade 2</b>    Plain - <b>fig. 171</b> Plated - <b>fig. 371</b>	1/4	.80	100	----	.105
	5/16	1.10	100	----	.144
	3/8	1.60	100	.10	.16
	1/2	3.80	100	.25	.37
	5/8	7.30	50	.43	.65
	3/4	11.90	50	.65	.98
	7/8	19	25	----	2.10
	1	28	25	----	2.75
<b>Heavy Hex Nuts Grade 2</b>    Plain - <b>fig. 172</b> Plated - <b>fig. 372</b>	3/8	3	100	.17	.24
	1/2	7	100	.32	.46
	5/8	12	50	.55	.79
	3/4	19	50	.85	1.18
<b>Washers USS</b>    Plain - <b>fig. 153</b> Plated - <b>fig. 353</b>	1/4	.70	100	.053	.087
	3/8	1.5	100	.087	.14
	1/2	3.8	100	.17	.28
	5/8	7.7	50	.34	.53
	3/4	11.0	50	.46	.68
	7/8	15.3	50	.65	1.05
	1	18.8	25	.92	1.30
<b>Fender Washer</b>    Plated - <b>fig. 253</b>	1/4 X 1.25	2.1	100	----	.18
	3/8 X 1.5	2.9	100	----	.24
	1/2 X 2.0	7	100	----	.42
<b>Rod Coupling</b>    Plain- <b>fig. 151</b> Plated - <b>fig. 351</b>	1/4	2	50	1.18	1.57
	3/8	11	50	1.30	1.77
	1/2	11	50	1.45	2.65
	5/8	18	50	2.50	3.25
	3/4	30	25	3.95	5.25
<b>Rod Coupling, Reducing</b>  <b>fig. 357</b>	3/8 - 1/4	4	50	----	2.10
	1/2 - 3/8	7	50	----	2.75
	5/8 - 1/2	14	50	----	4.30




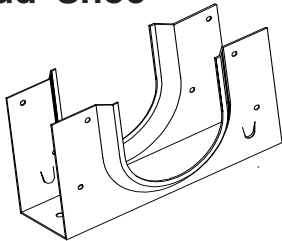
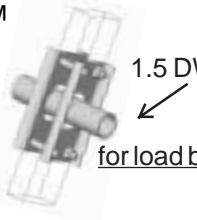
# Hardware & Tools

	Size Inches	Weight Per 100	Quantity Per Ctn	List Price Each	
				Plain	Plated
<b>All Thread Rod</b> 6 Ft Length  Plain - <b>fig. 900</b> Plated - <b>fig. 901</b>	1/4	.72 ea	50	----	3.75
	3/8	1.7	25	4.55	5.15
	1/2	3.0	12	9.90	10.65
	5/8	5.0	8	16.25	16.95
	3/4	7.4	5	23.75	27.82
	7/8	10	4	----	48.75
	1	13	3	----	68.75

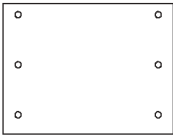
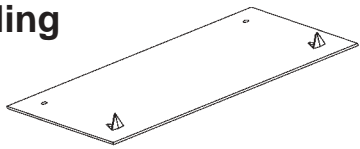



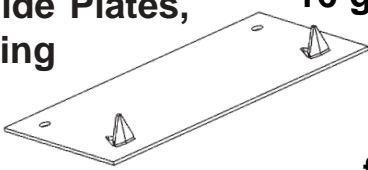
	Size	Weight Per 100	Quantity Per Ctn	List Price Each
<b>Stop Keys</b>  <b>fig. 413</b>	6 FT	750	6 / Bndl	62.00
	8 FT	1000	6 / Bndl	75.80
	10 FT	1250	6 / Bndl	86.85
<b>Grapplers</b>  <b>fig. 415</b>	6 FT	400	6 / Bndl	88.25
	8 FT	600	6 / Bndl	103.50
	10 FT	800	6 / Bndl	114.50
<b>Spoon Keys</b>  <b>fig. 414</b>	6 FT	500	6 / Bndl	96.00

Description	Quantity Per Ctn	List Price /Kit
<b>Screw and Plastic Anchor Kit</b>  <b>fig. 162</b> 100-#10 x1" Pan Head Screws 100 - Plastic Anchors 1 each -1/4" Masonary Drill	10	11.25/Kit

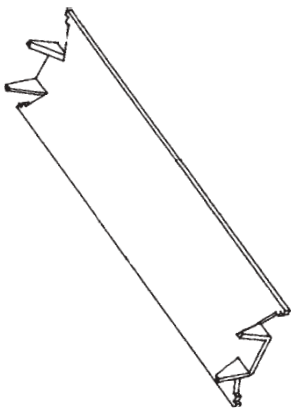
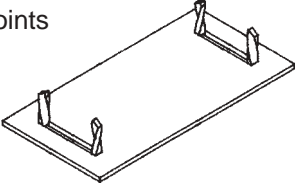
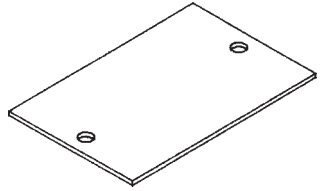

# Stud Protectors

	Size	Weight Per 100	Quantity Per Ctn	List Price Each
<b>16 Hole Plate - 5" wide</b>    <b>16 ga</b> <span style="float: right;"><b>fig. 950</b></span>	5 X 9	85	50	1.63
	5 X 12	105	25	1.88
	5 X 18	160	25	2.87
<b>16 Hole Plate - 3" wide</b>    <b>16 ga</b> <span style="float: right;"><b>fig. 949</b></span>	3 X 12	52	25	1.31
	3 X 18	96	25	1.81
	3 X 24	120	25	2.63
	3 X 36	190	25	5.25
<b>16 Hole Plate - 1.5" wide</b>    <b>16 ga</b> <span style="float: right;"><b>fig. 948</b></span>	1.5 X 18	48	50	1.15
	1.5 X 24	62	50	1.69
	1.5 X 36	94	25	3.63
<b>Stud Shoe</b>    not for load bearing walls <span style="float: right;"><b>fig. 533-1</b></span>  <span style="float: right;"><b>fig. 533-2</b></span>  <span style="float: right;"><b>fig. 533-3</b></span>	Single	41	25	2.56
	Double	50	25	3.00
	Triple	60	10	3.56
<b>Studfixer™</b>   Kit includes Bolts, Nuts, Drill & Drill Fixture 1.5 DWV MAX for load bearing walls <span style="float: right;"><b>fig. 534</b></span>	Single	230	5 assy. / kit Sold only as Kits	11.81/ assy.
	Double	260	5 assy. / kit Sold only as Kits	12.38 / assy.
	Triple	290	5 assy. / kit Sold only as Kits	13.25 / assy.

# Stud Protectors

		Size	Weight per 100	Quantity Ctn / Skid	List Price Each
<b>5" Wide Plates</b> <span style="float: right;"><b>16 ga x 5</b></span>  * 18" has 4 holes <span style="float: right;"><b>fig 958</b></span>		5 X 4	35	50 / 5M	.75
		5 X 8	70	50 / 2500	1.40
		5 X 18 *	150	25 / 1500	2.63
<b>5" Wide Plates, Self Nailing</b> <span style="float: right;"><b>16 ga x 5</b></span>  <span style="float: right;"><b>fig. 957</b></span>		5 X 4	35	25/2500	.90
		5 X 8	70	25 / 2500	1.50
<b>1 1/2" Wide Plates, 8 Hole</b> <span style="float: right;"><b>18 ga x 1-1/2</b></span> <span style="float: right;"><b>fig. 918</b></span> <hr/> <span style="float: right;"><b>16 ga x 1-1/2</b></span>  <span style="float: right;"><b>fig. 916</b></span>		9	18	50 / 5M	.45
		12	25	50 / 5M	.56
		18	38	50 / 3M	.85
		9	24	50 / 5M	.55
		12	32	50 / 5M	.78
		18	48	50 / 3M	1.15
<b>3" Wide Plates, 8 Hole</b> <span style="float: right;"><b>18 ga x 3</b></span>  <span style="float: right;"><b>fig. 919</b></span>		6	25	50 / 6M	.55
		9	38	50 / 5M	.83
		12	52	50 / 5M	1.05
		18	78	50 / 2400	1.63
<b>3-1/2" Wide Plates</b> <span style="float: right;"><b>16 ga x 3</b></span>  18" 4 Holes as shown, 6" 2 Holes <span style="float: right;"><b>fig. 935</b></span>		6	36	50 / 5M	.66
		18	110	25 / 1500	2.00
<b>3-1/2" Wide Plates, Self Nailing</b> <span style="float: right;"><b>16 ga x 3.5</b></span>  <span style="float: right;"><b>fig. 936</b></span>		6	36	50/5M	.79

# Stud Protectors

		Length Inches	Weight Per 100	Quantity Ctn / Skid	List Price Each	
<b>Stud Guards</b> Triangle Points  	18 ga x 1-1/2	3	6	100 / 21M	.163	
	<b>fig. 530</b>	5	10	100 / 12M	.206	
		6	13	100 / 12M	.244	
		20 ga x 1-1/2	3	5	100 / 21M	.131
	<b>fig. 531</b>	6	10	100 / 12M	.206	
		16 ga x 1-1/2	3	8	100 / 21 M	.206
		<b>fig. 536</b>	5	14	100 / 12M	.275
	6		16	100 / 12 M	.325	
	<b>Stud Guards</b> Twist Points  		19 ga x 1-1/2	3	6	100 / 21M
<b>fig. 920</b>		6	11	100 / 12M	.238	
<b>Stud Guards</b> Nail Holes  	18 ga x 1-1/2	3	6	250 / 30M	.163	
	<b>fig. 906</b>	6	13	100 / 12M	.244	
		16 ga x 1-1/2	3	8	250 / 30M	.205
	<b>fig. 905</b>	6	16	100 / 12M	.325	
<b>Stud Guards</b> Interlocking  	20 ga x 1-1/2	20 GA	10	100 / 12M	.206	
	18 ga x 1-1/2	18 GA	13	100 / 12M	.244	
	16 ga x 1-1/2	16 GA	16	100 / 12M	.325	
<b>fig. 922</b>						



# INDEX

PG.	FIG.	ITEM		PG.	FIG.	ITEM	
8	300	Adj Swivel Rings	Galvanized IPS	11	202	Split Ring Hangers	Ductile Iron, Plain
8	301		Copper Tube	11	385		Ductile Iron, Galv Pipe
6	302		Plastic Coated	11	485		Ductile Iron, Copper Tube
17	900	All Thread Rod	Plain				
17	901		Plated	1	970	Strapping	Steel Plain
12	118	Angle Clips		1	972		Copperclad
8	430	Bell Hangers		1	971		Galvanized
				7	102		Plastic
12	122	'C' Clamps	Plain	1	974		Pure Copper
12	123		With Locknuts	1	975		Stainless Steel
				1	101		Duct Tape, Galvanized
9	204	Clevis Hangers	Standard	4	620	Strap, EMT	
9	304		Standard, Zinc Plated				
9	406		Copper Tube	4	600	Straps, Pipe	Galv Pipe, Two Hole
9	104		Light	6	603		Galv Pipe, Plastic Coated
6	404		Plastic Coated	4	760		Stainless, Pipe Two Hole
				4	610		Galv Pipe, One Hole
5	220	DWV Hangers	Plastic Coated				
5	320		L.W. Plastic Coated	3	500	Straps, Tube	Copperclad, Two Hole
5	120		Galvanized (Uncoated)	3	510		Copperclad, One Hole
5	221		DWV Extensions	3	503		Pure Copper, Two Hole
				3	509		Nails
11	208	Flanges	Bowtie, Plain				
11	389		Bowtie, Galv	14	930	Strut	Galv
11	489		Bowtie, CClad	14	931		Green
11	820		Ductile Iron, Plain	13	411	Strut Clamps	Copper Tube
11	821		Ductile Iron, Galv	13	311		Galv IPS
11	822		Ductile Iron, Epoxy	13	317	Strut Cushion Clamp	IPS
				13	417		Copper
15	156	Hex Head Bolts	Plain	14	316	Strut	Angle
15	356		Plated	14	310		Nuts
16	171	Hex Nuts	Plain	14	313		Washers
16	371		Plated				
16	172		Heavy, Plain	19	957	Stud Protector Plates	16 Ga 5x8 Self Nailing
16	372		Heavy, Plated	19	958		16 Ga 5" Wide
				18	950		16 Ga 16 Hole 5" Wide
2	197	Hooks	Bright Steel	18	949		16 Ga 16 Hole 3" Wide
2	198		Copper Tube	18	948		16 Ga 16 Hole 1.5" Wide
2	199		Plastic Coated	19	936		16 Ga 3.5" Self Nailing
				19	935		16 Ga 3.5" Wide
6	113	J Hanger	Plastic Coated	19	919		18 Ga 8 Hole, 3" Wide
3	540	J-Tube Nailer	Copper Tube	19	918		18 Ga 8 Hole, 1.5" Wide
15	154	Lag Rod		19	916		16 Ga 8 Hole, 1.5" Wide
15	155	Lag Screw					
				20	906	Stud Guards	Nail Holes 18 Ga
7	511	Plastic Half Clamp		20	905		Nail Holes 16 Ga
7	515	Plastic Suspension Clamp		20	922		Interlocking 20 Ga
7	517	Plastic Tube Clamp		20	536		Triangle Points 16 Ga
				20	530		Triangle Points 18 Ga
17	415	Plumbers' Tools	Grapplers	20	531		Triangle Points 20 Ga
17	414		Spoon Keys	20	920		Twisted Points 19 Ga
17	413		Stop Keys				
				18	534	Stud Fixer	
10	108	Riser Clamps	Iron Pipe	18	533	Stud Shoes	
10	410		Copper Tube	15	160	Stove Bolts With Nuts	
6	107		Plastic Coated				
				12	125	Top Beam Clamps	Plain
16	151	Rod Couplings	Plain	12	325		Plated
16	351		Plated	12	126		Wide Throat
16	357		Reducing, Plated				
				16	153	Washer	Plain
10	105	Shields	Insulation	16	353		Plated
12	191	Side Beam Connectors		16	253		Fender
7	513	Single Shot Hanger					