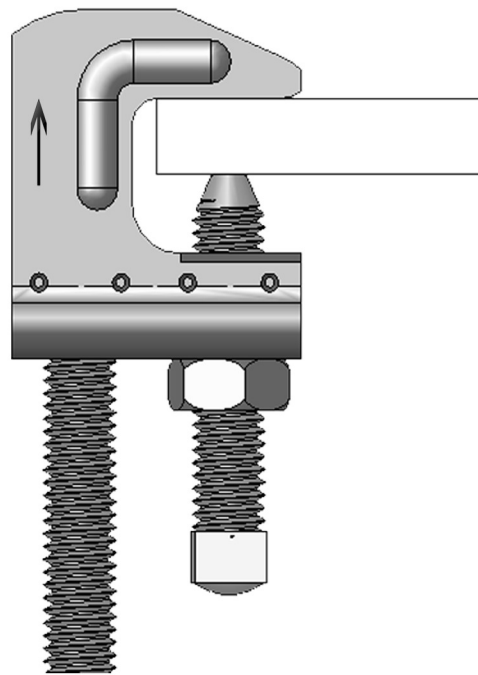




# TOP BEAM CLAMP

Figure #325



**Made in the USA**  
**Accepts 3/8" thread rod**  
**Supports up to 4" pipe**  
**400 lbs load rating**  
**Grabs up to 9/16" flanges**  
**Galvanized G90**  
**Conforms to MSS-SP-58**



**GFM.BIZ**

