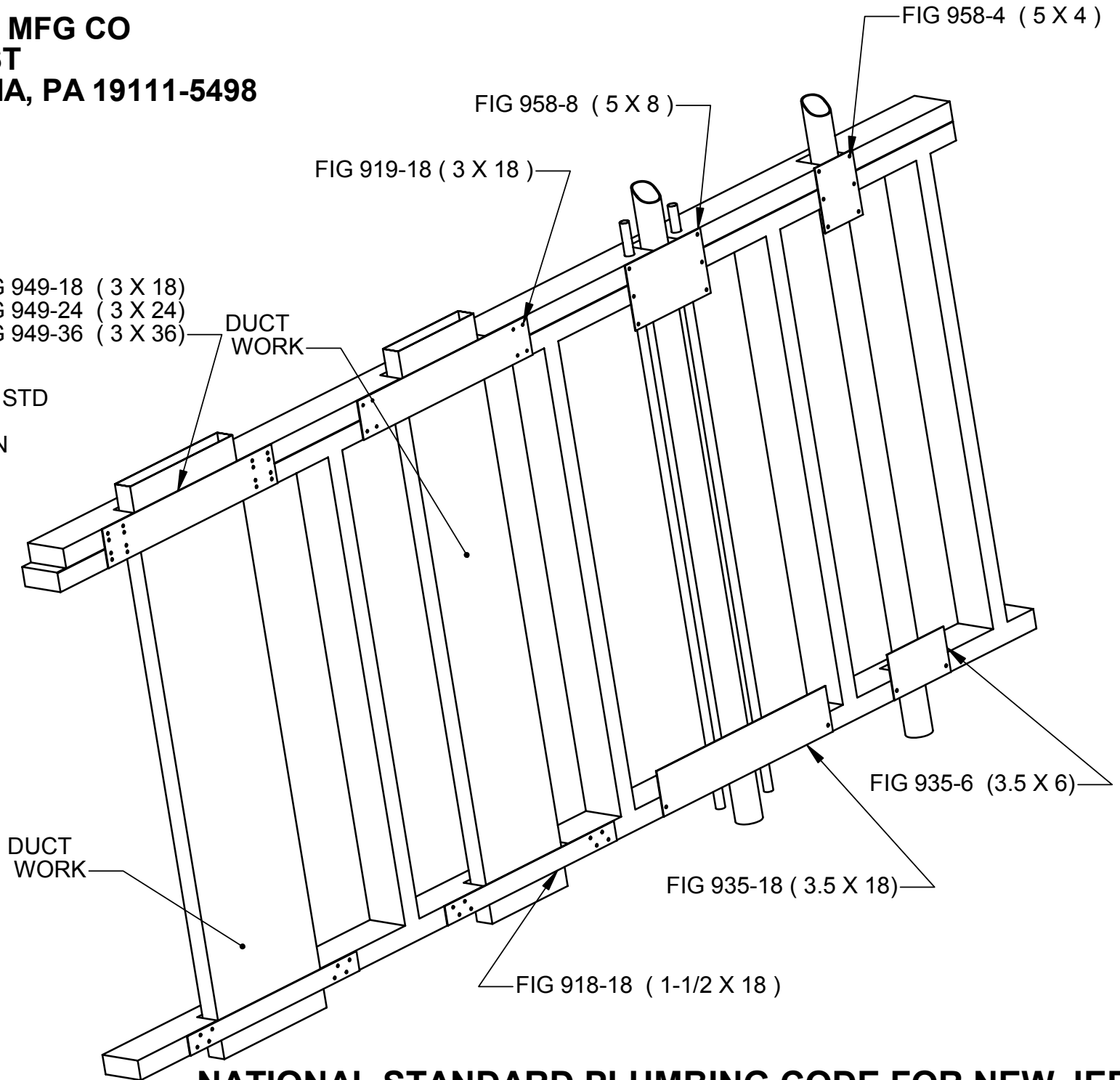


GREENFIELD MFG CO
920 LEVICK ST
PHILADELPHIA, PA 19111-5498

- *NOTCH < 11.5" FIG 949-18 (3 X 18)
- *NOTCH < 16.5" FIG 949-24 (3 X 24)
- *NOTCH < 28.5" FIG 949-36 (3 X 36)

*INTERNATIONAL STD
PLUMBING CODE
NOT REQUIRED IN
NEW JERSEY
BUT OFTEN
FOLLOWED



NATIONAL STANDARD PLUMBING CODE FOR NEW JERSEY