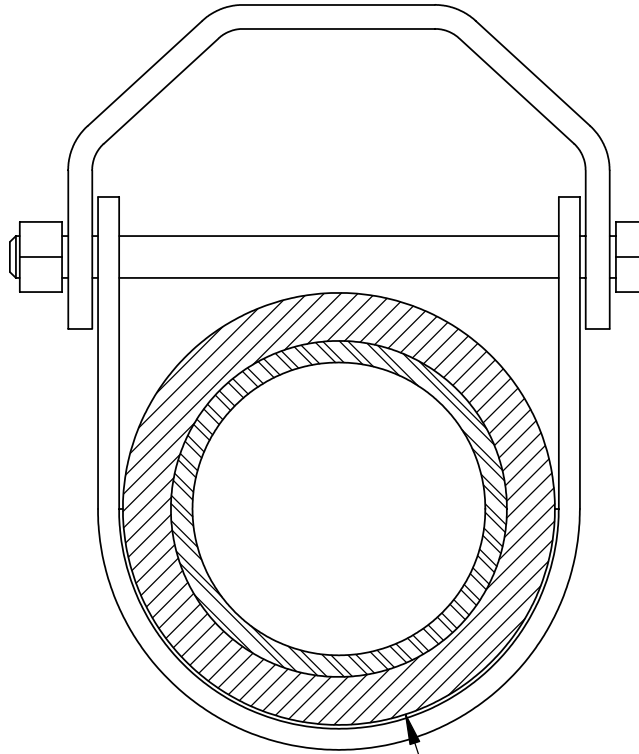
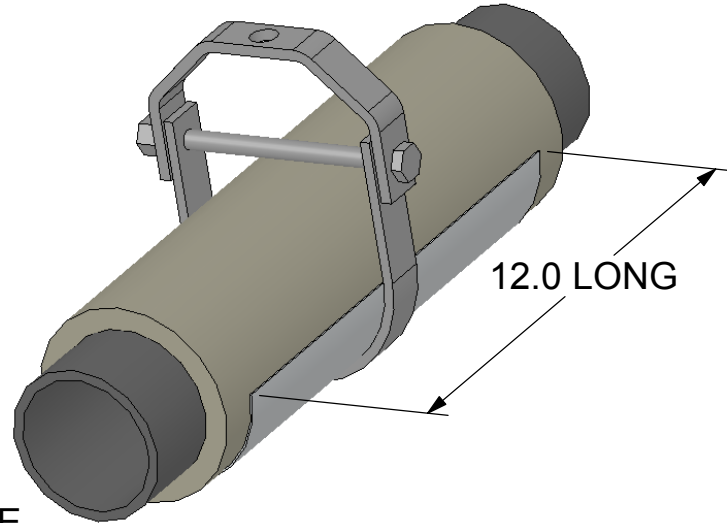


THE INFORMATION CONTAINED IN THIS DRAWING IS THE SOLE PROPERTY OF GREENFIELD MFG CO ANY REPRODUCTION IN PART OR WHOLE WITHOUT THE WRITTEN PERMISSION OF GREENFIELD MFG CO IS PROHIBITED.

**made in USA**



MAXIMUM OUTSIDE DIAMETER OF INSULATION



12.0 LONG

COMPLIES WITH MANUFACTURERS STANDARDIZATION SOCIETY MSS-SP-58 TYPE 40

CLEVIS	OUTSIDE DIA.	STEEL GAGE
1-1/2	1.90	18
2	2.38	18
2-1/2	2.88	18
3	3.50	18
4	4.50	18
5	5.56	18
6	6.63	18
8	8.63	16
10	10.75	16

UNLESS OTHERWISE SPECIFIED DIMENSIONS ARE IN INCHES  
 TOLERANCES ARE:  
 FRACTIONS DECIMALS ANGLES  
 +/- 1/8 .XX +/- .03 .XX + 1  
 .XXX +/- .01

MATERIAL  
**PRE GALVANIZED STEEL**

DO NOT SCALE DRAWING

CAD GENERATED DRAWING, DO NOT MANUALLY UPDATE

APPROVALS	DATE
DRAWN EG	12/12
CHECKED SB	

**GREENFIELD MFG CO**

920 LEVICK ST , PHILA.,PA. 19111

**PIPE SHIELD FIG. 105**

A	P/N	REV.
---	-----	------

SCALE	CAD FILE: 105.SLDDRW	SHEET OF
-------	----------------------	----------