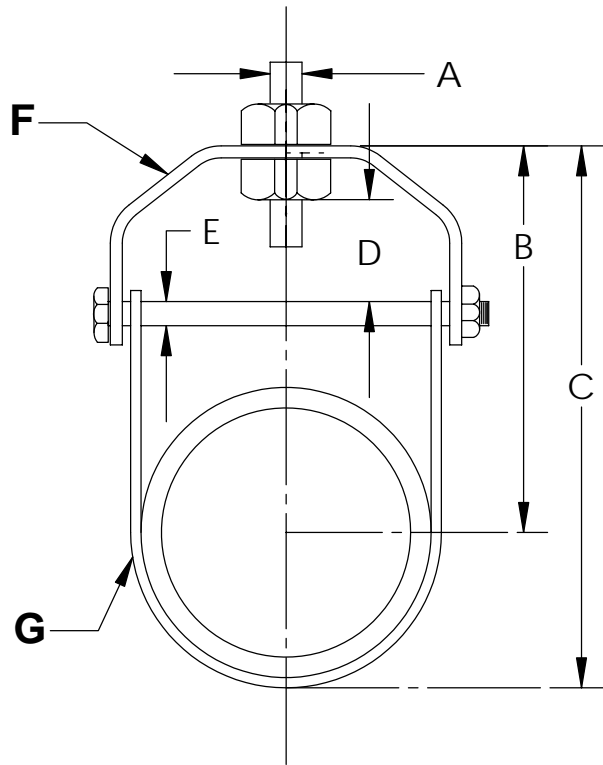


THE INFORMATION CONTAINED IN THIS DRAWING IS THE SOLE PROPERTY OF GREENFIELD MFG CO ANY REPRODUCTION IN PART OR WHOLE WITHOUT THE WRITTEN PERMISSION OF GREENFIELD MFG CO IS PROHIBITED.



SIZE	A	B	C	D	E	F	G	MAX REC LOAD (lbs)
1/2	3/8	1.7	2.5	0.62	1/4	.080 X 1.00	.070 X 1.00	250
3/4	3/8	2.0	2.8	0.62	1/4	.080 X 1.00	.070 X 1.00	250
1	3/8	2.3	3.0	0.62	1/4	.080 X 1.00	.070 X 1.00	250
1-1/4	3/8	2.5	3.5	0.75	1/4	13 ga X 1.00	.070 X 1.00	250
1-1/2	3/8	2.8	3.8	1.00	1/4	12 ga X 1.00	.070 X 1.00	250
2	3/8	3.0	4.0	1.30	1/4	12 ga X 1.00	.080 X 1.00	300
2-1/2	1/2	3.5	5.3	1.30	5/16	11 ga X 1.25	13 ga X 1.25	350
3	1/2	4.8	7.0	2.00	5/16	11 ga X 1.25	13 ga X 1.25	350
4	1/2	5.8	8.0	2.00	3/8	8 ga X 1.25	11 ga X 1.25	500
5	5/8	6.5	9.5	2.30	1/2	3 ga X 1.25	8 ga X 1.25	700
6	3/4	7.5	10.5	2.30	1/2	3 ga X 1.50	8 ga X 1.50	800
8	3/4	8.8	13.0	2.30	9/16	3 ga X 1.75	8 ga X 1.75	1500
10	7/8	10.0	15.0	2.30	3/4	3/8 X 1.75	3 ga X 1.75	2500
12	7/8	11.0	18.0	2.60	3/4	3/8 X 2.00	3 ga X 2.00	3500

Complies with Manufacturers Standardization Society  
MSS-SP-58 Type-1 and WWH-171E Type-1

**MADE IN USA**

UNLESS OTHERWISE SPECIFIED DIMENSIONS ARE IN INCHES TOLERANCES ARE: FRACTIONS    DECIMALS    ANGLES +/- 1/8    .XX +/- .03    .XX + 1 .XXX +/- .01	CAD GENERATED DRAWING, DO NOT MANUALLY UPDATE		<b>GREENFIELD MFG CO</b>	
	APPROVALS	DATE	9800 Bustleton Ave, Phila, PA 19115	
MATERIAL <b>STEEL</b>	DRAWN	EG	<b>5/13</b>	
	CHECKED	SB	<b>CLEVIS -STANDARD</b>	
DO NOT SCALE DRAWING	A	P/N	<b>FIG 204</b>	REV. <b>C</b>
	SCALE	CAD FILE	<b>204.SLDDRW</b>	SHEET OF