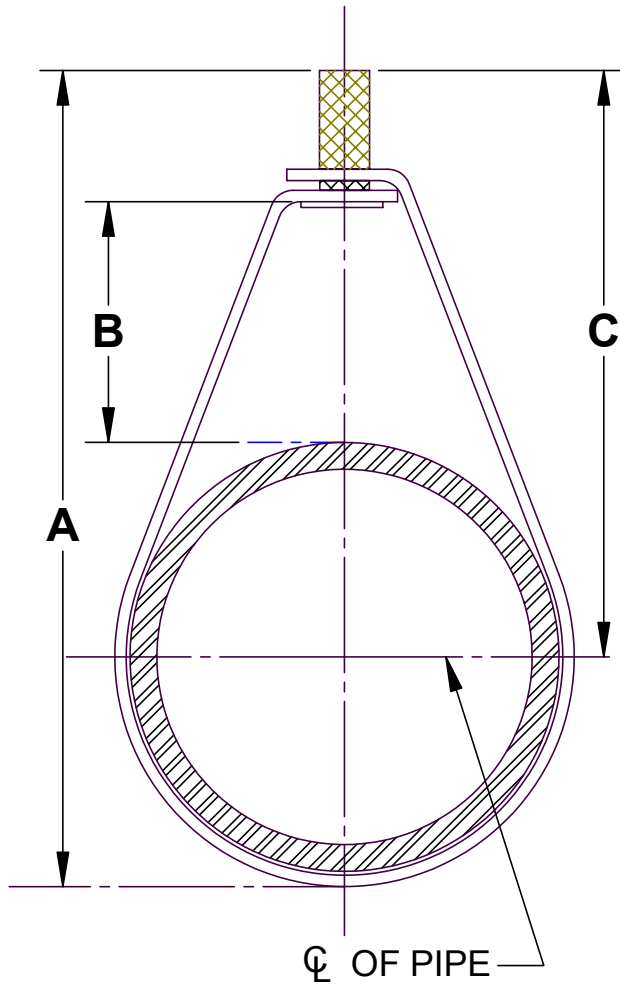


THE INFORMATION CONTAINED IN THIS DRAWING IS THE SOLE PROPERTY OF GREENFIELD MFG CO ANY REPRODUCTION IN PART OR WHOLE WITHOUT THE WRITTEN PERMISSION OF GREENFIELD MFG CO IS PROHIBITED.



COMPLIES WITH MSS SP-58, TYP #10

PIPE SIZE	MATERIAL	ROD SIZE	DRAWING REF			WT. PER 100	MAX REC. LOAD
			A	B	C		
1/2"	18ga x 5/8	3/8"	3"	1 - 1/8"	1 - 1/2"	8	400
3/4"	18ga x 5/8	3/8"	3 - 1/8"	1 - 1/8"	1 - 3/4"	9	400
1"	18ga x 5/8	3/8"	3 - 3/8"	1 - 1/8"	1 - 7/8"	10	400
1 - 1/4"	18ga x 5/8	3/8"	3 - 3/4"	1 - 1/8"	2 - 1/8"	11	400
1 - 1/2"	18ga x 5/8	3/8"	4"	1 - 1/8"	2 - 1/4"	13	400
2"	18ga x 5/8	3/8"	4 - 5/8"	1 - 1/8"	2 - 1/2"	14	400
2 - 1/2"	14ga x 3/4	3/8"	5 - 1/2"	1 - 3/8"	3 - 1/8"	30	600
3"	14ga x 3/4	3/8"	6 - 3/8"	1 - 5/8"	3 - 5/8"	32	600
3 - 1/2"	14ga x 3/4	3/8"	7"	1 - 3/4"	4"	36	600
4"	14ga x 3/4	3/8"	7 - 1/2"	1 - 5/8"	4 - 1/8"	44	1000

NOTE:
EPOXIE / COPPER COATED

UNLESS OTHERWISE SPECIFIED DIMENSIONS ARE IN INCHES TOLERANCES ARE: FRACTIONS DECIMALS ANGLES + .XX+ .XX + 1 .XXX+.XXX	CAD GENERATED DRAWING. DO NOT MANUALLY UPDATE		GREENFIELD MFG CO 9800 Bustleton Ave, Phila, PA 19115	
	APPROVALS	DATE	P/N FIG 301	
	DRAWN EG		A	ADJ. SWIVEL CT REV.
	CHECKED SB		SCALE	CAD FILE 301.SLDRW SHEET OF
MATERIAL STEEL		11/06		
FINISH SEE-NOTE				
DO NOT SCALE DRAWING				