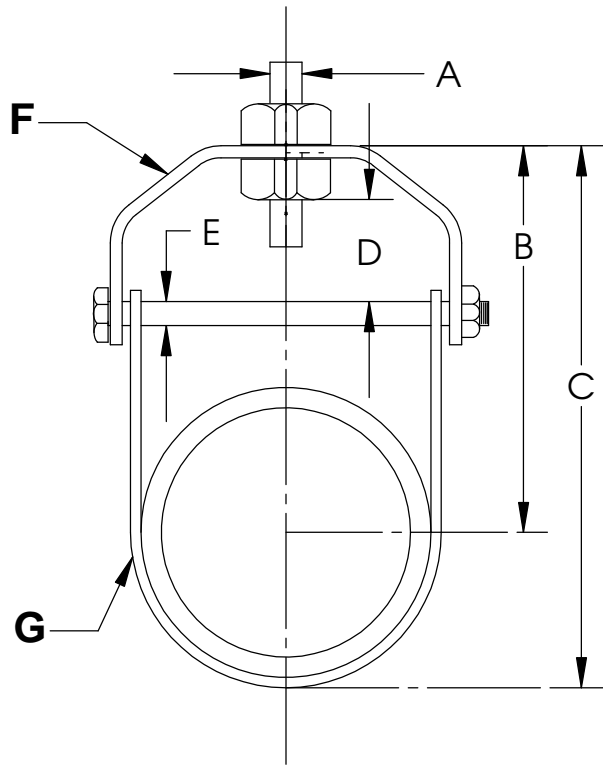


THE INFORMATION CONTAINED IN THIS DRAWING IS THE SOLE PROPERTY OF GREENFIELD MFG CO ANY REPRODUCTION IN PART OR WHOLE WITHOUT THE WRITTEN PERMISSION OF GREENFIELD MFG CO IS PROHIBITED.



SIZE	A	B	C	D	E	F	G	MAX REC LOAD (lbs)
1/2	3/8	1.7	2.5	0.62	1/4	.080 X 1.00	.070 X 1.00	250
3/4	3/8	2.0	2.8	0.62	1/4	.080 X 1.00	.070 X 1.00	250
1	3/8	2.3	3.0	0.62	1/4	.080 X 1.00	.070 X 1.00	250
1-1/4	3/8	2.5	3.5	0.75	1/4	13 ga X 1.00	.080 X 1.00	250
1-1/2	3/8	2.8	3.8	1.00	1/4	12 ga X 1.00	13 ga X 1.00	250
2	3/8	3.0	4.0	1.30	1/4	12 ga X 1.00	13 ga X 1.00	300
2-1/2	1/2	3.5	5.3	1.30	5/16	11 ga X 1.25	12 ga X 1.25	350
3	1/2	4.8	7.0	2.00	5/16	11 ga X 1.25	12 ga X 1.25	350
4	1/2	5.8	8.0	2.00	3/8	8 ga X 1.25	10 ga X 1.25	500
5	5/8	6.5	9.5	2.30	1/2	3 ga X 1.25	8 ga X 1.25	700
6	5/8	7.5	10.5	2.30	1/2	3 ga X 1.50	8 ga X 1.50	800
8	3/4	8.8	13.0	2.30	9/16	3 ga X 1.75	8 ga X 1.75	1500
10	7/8	10.0	15.0	2.30	3/4	3/8 X 1.75	3 ga X 1.75	2500
12	7/8	11.0	18.0	2.60	3/4	3/8 X 2.00	3 ga X 2.00	3500

Complies with Manufacturers Standardization Society  
MSS-SP-58 Type-1 and WWH-171E Type-1

**MADE IN USA**

UNLESS OTHERWISE SPECIFIED DIMENSIONS ARE IN INCHES  TOLERANCES ARE: FRACTIONS    DECIMALS    ANGLES +/- 1/8    .XX +/- .03    .XX + 1 .XXX +/- .01	CAD GENERATED DRAWING, DO NOT MANUALLY UPDATE		<b>GREENFIELD MFG CO</b>	
	APPROVALS	DATE	920 LEVICK ST, PHILA., PA. 19111	
MATERIAL	DRAWN	EG	<b>CLEVIS -ZINC PLATED</b>	
<b>STEEL ZINC PLATED</b>	CHECKED	SB	A	P/N <b>FIG 304</b> <b>B</b> REV.
DO NOT SCALE DRAWING	SCALE	CAD FILE	<b>304.SLDDRW</b> SHEET OF	

**GREENFIELD MFG CO**  
920 LEVICK ST, PHILA., PA. 19111  
**CLEVIS -ZINC PLATED**  
A P/N **FIG 304** **B** REV.  
SCALE CAD FILE **304.SLDDRW** SHEET OF