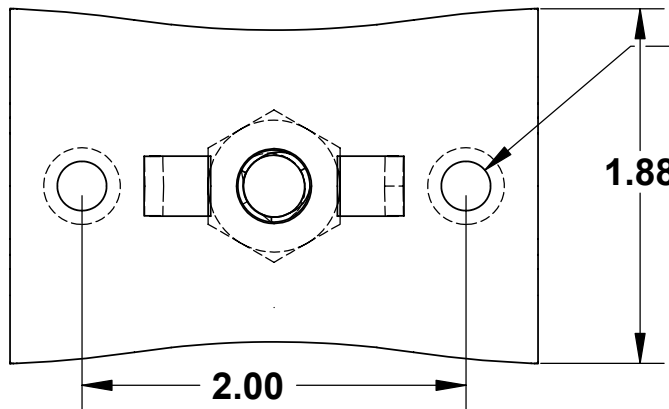
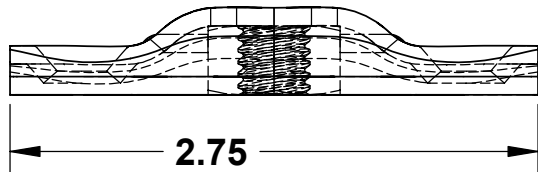


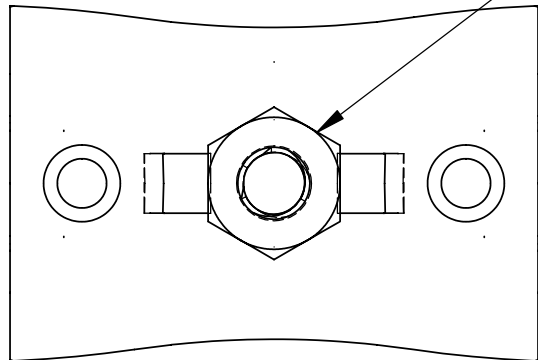
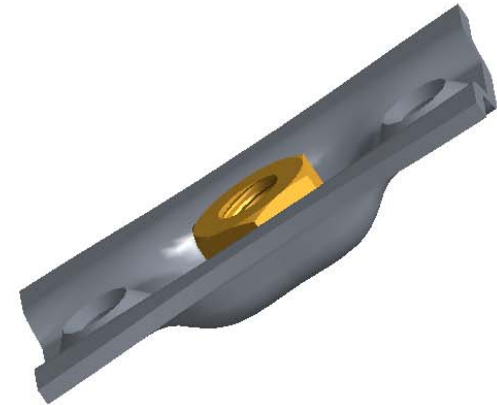
THE INFORMATION CONTAINED IN THIS DRAWING IS THE SOLE PROPERTY OF GREENFIELD MFG CO ANY REPRODUCTION IN PART OR WHOLE WITHOUT THE WRITTEN PERMISSION OF GREENFIELD MFG CO IS PROHIBITED.



$\phi$ .26  
COUNTER SINK FOR  
FLAT HEAD SCREW



HEAVY HEX NUT  
ZINC PLATED  
3/8- 16 UNC  
FULLY CAPTIVATED



***made in USA***

**SAFE WORKING LOAD  
200 POUNDS LIMITED BY  
FASTENERS ATTACHED  
PROOF TESTED AT 2000 LBS  
TEST REPORTS AT WWW.GFM.BIZ**

UNLESS OTHERWISE SPECIFIED  
DIMENSIONS ARE IN INCHES  
TOLERANCES ARE:  
FRACTIONS    DECIMALS    ANGLES  
+/- 1/8    .XX +/- .03    .XX + 1  
              .XXX +/- .01

MATERIAL  
**13 GA. GALV STEEL**

DO NOT SCALE DRAWING

CAD GENERATED DRAWING,  
DO NOT MANUALLY UPDATE

APPROVALS		DATE
DRAWN	EG	9/12
CHECKED	SB	9/12

**GREENFIELD MFG CO**

9800 Bustleton Ave, Phila, PA 19115

**BOWTIE FLANGE PLATE**

A P/N **FIG.389** REV.

SCALE **FIG 389 BOWTIE** SHEET OF