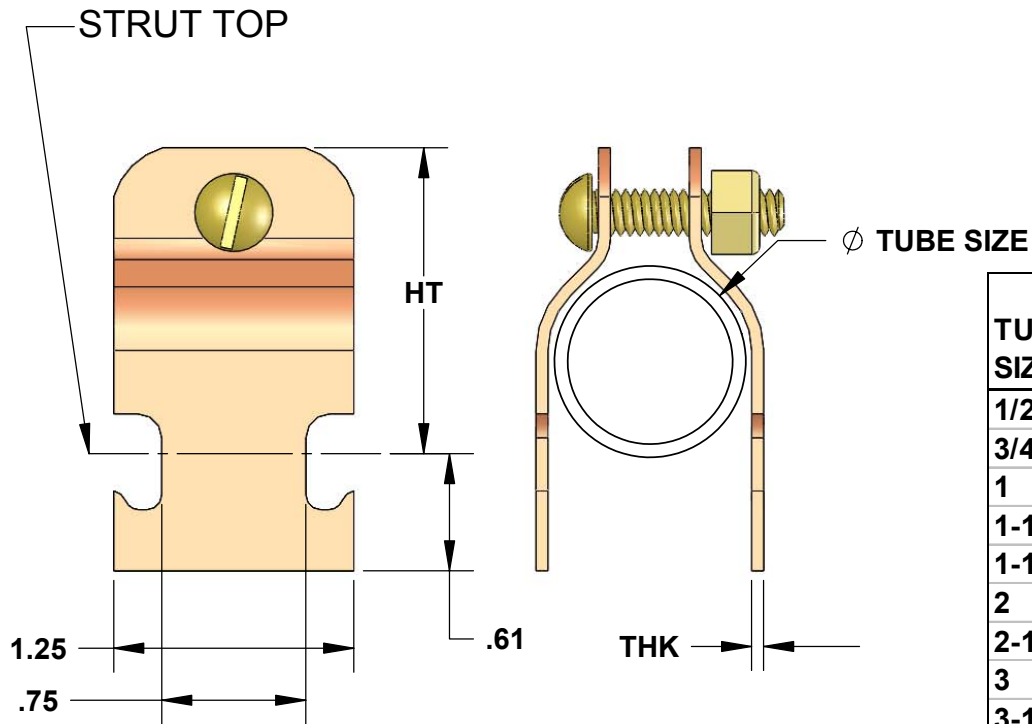
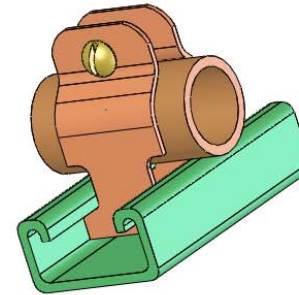


THE INFORMATION CONTAINED IN THIS DRAWING IS THE SOLE PROPERTY OF GREENFIELD MFG CO ANY REPRODUCTION IN PART OR WHOLE WITHOUT THE WRITTEN PERMISSION OF GREENFIELD MFG CO IS PROHIBITED.



TUBE SIZE	THK	HT	BOLT & NUT
1/2	16 GA	1.4	1/4 X 1
3/4	16 GA	1.6	1/4 X 1
1	16 GA	1.8	1/4 X 1
1-1/4	16 GA	2.4	1/4 X 1
1-1/2	14 GA	2.5	1/4 X 1
2	14 GA	3.0	1/4 X 1
2-1/2	12 GA	3.7	5/16 x 1-1/4
3	12 GA	4.4	5/16 x 1-1/4
3-1/2	11 GA	4.9	5/16 x 1-1/4
4	11 GA	5.4	5/16 x 1-1/4

FIG411.SLDDRW

**Made in USA**

MATERIAL STEEL		<b>Greenfield Mfg Co</b> 920 Levick St , Philadelphia ,Pa. 19111-5498	
FINISH COPPER PLATED	TOLERANCES XXX XX FR		
		FSCM 98320	FIG. 411