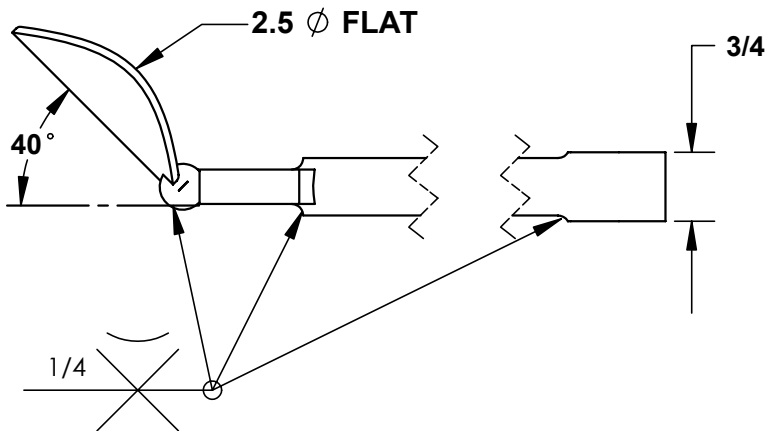
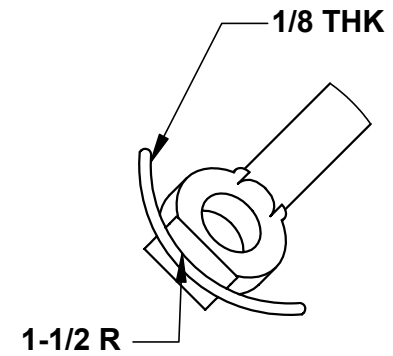
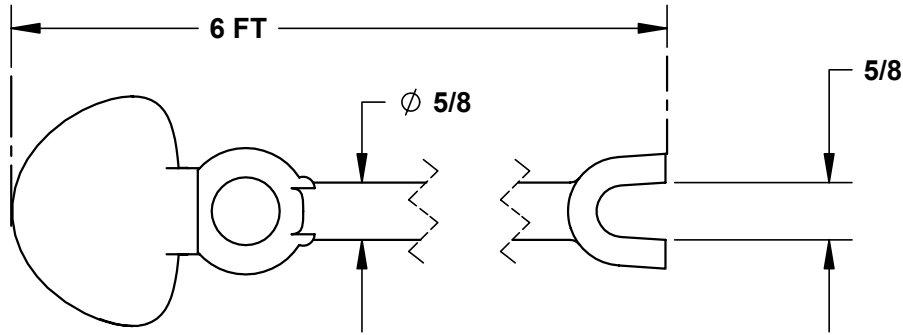


THE INFORMATION CONTAINED IN THIS DRAWING IS THE SOLE PROPERTY OF GREENFIELD MFG CO ANY REPRODUCTION IN PART OR WHOLE WITHOUT THE WRITTEN PERMISSION OF GREENFIELD MFG CO IS PROHIBITED.

D9800 Bustleton Ave, Phila, PA 19115



UNLESS OTHERWISE SPECIFIED DIMENSIONS ARE IN INCHES TOLERANCES ARE: FRACTIONS DECIMALS ANGLES + .XX+ .XX + 1 .XXX+.XXX	CAD GENERATED DRAWING, DO NOT MANUALLY UPDATE		<b>GREENFIELD MFG CO</b> 9800 Bustleton Ave, Phila, PA 19115	
	APPROVALS	DATE		
	DRAWN EG	1/11	P/N	FIG 414
	CHECKED SB		A	SPOON KEY
MATERIAL	STEEL A36	SCALE	CAD FILE:	SHEET OF
FINISH	--			
DO NOT SCALE DRAWING				