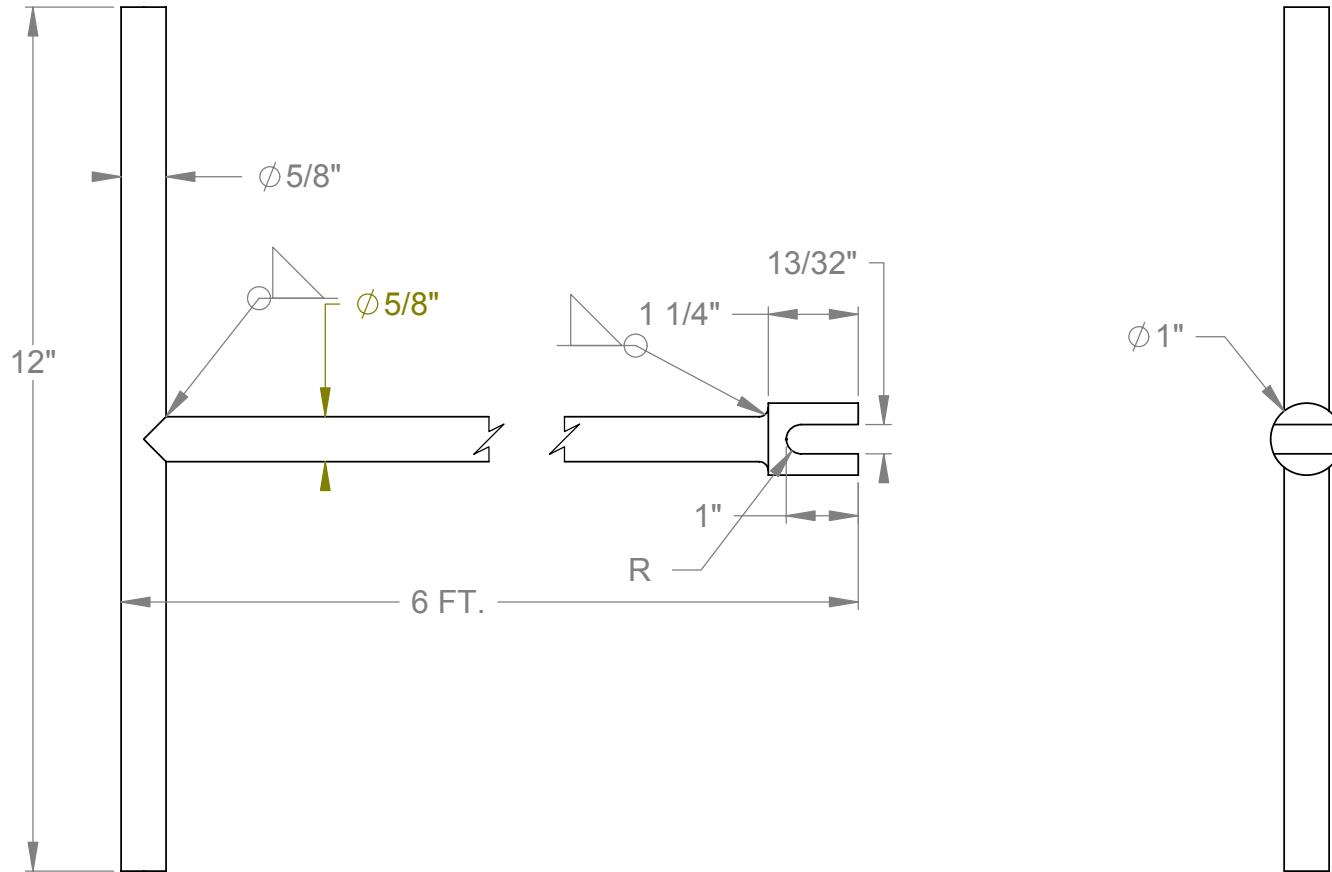


THE INFORMATION CONTAINED IN THIS DRAWING IS THE SOLE PROPERTY OF GREENFIELD MFG CO ANY REPRODUCTION IN PART OR WHOLE WITHOUT THE WRITTEN PERMISSION OF GREENFIELD MFG CO IS PROHIBITED.



Made in USA

UNLESS OTHERWISE SPECIFIED DIMENSIONS ARE IN INCHES TOLERANCES ARE: FRACTIONS DECIMALS ANGLES + .XX+ .XX + 1 .XXX+.XXX		CAD GENERATED DRAWING, DO NOT MANUALLY UPDATE		GREENFIELD MFG CO	
MATERIAL A 36 STEEL		APPROVALS	DATE	9800 Bustleton Ave, Phila, PA 19115	
FINISH --		DRAWN EG	12/01	P/N	FIG 416
DO NOT SCALE DRAWING		CHECKED SB	12/01	A	STOP KEY MUELLER TYPE
				SCALE	CAD FILE: FIG416
				SHEET	OF

D
C
B
A

8 7 6 5 4 3 2 1