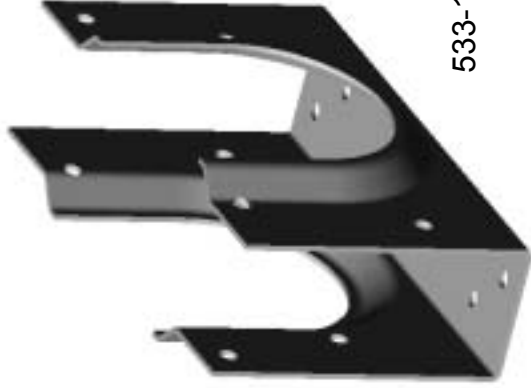
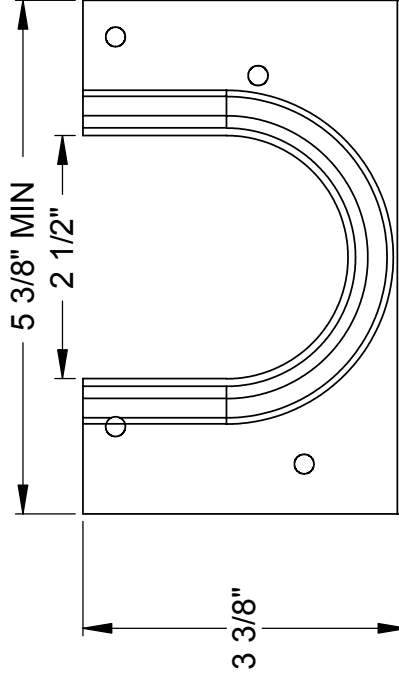
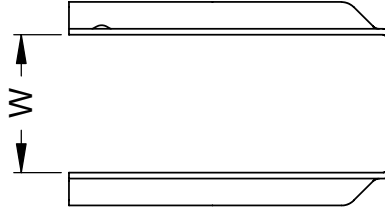
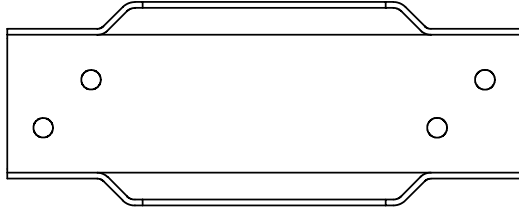


THE INFORMATION CONTAINED IN THIS DRAWING IS THE SOLE PROPERTY OF GREENFIELD MFG CO. ANY REPRODUCTION IN PART OR WHOLE WITHOUT THE WRITTEN PERMISSION OF GREENFIELD MFG CO IS PROHIBITED.



533-1 SHOWN



NOT A TOTAL REPLACEMENT FOR MATERIAL REMOVED
 INSTALL PER DIRECTIONS
 INSTALL PER LOCAL BUILDING CODES

FIG	W WIDTH	MAX LOAD	AVG ULT	NAILS
533-1	1.50	552 LBS	3255 LBS	12-10d X1.5
533-2	3.00	810 LBS	6568 LBS	12-10d
533-3	4.50	945 LBS	7489 LBS	14-10d

SEE TEST RESULTS AT WWW.GFM.BIZ

UNLESS OTHERWISE SPECIFIED DIMENSIONS ARE IN INCHES
 TOLERANCES ARE:
 FRACTIONS DECIMALS ANGLES
 + .XX+ .XX + 1
 .XXX+.XXX

MATERIAL STEEL 16 GA.
 FINISH GALVANIZED

DO NOT SCALE DRAWING

CAD GENERATED DRAWING. DO NOT MANUALLY UPDATE

APPROVALS	DATE
DRAWN EG	10/17
CHECKED SB	

GREENFIELD MFG CO

920 LEVICK ST, PHILA., PA. 19111

P/N FIG 533 STUD SHOE

REV. A

SCALE 1"=1'-0" DRAWN BY STDSH1D.SLDRM

