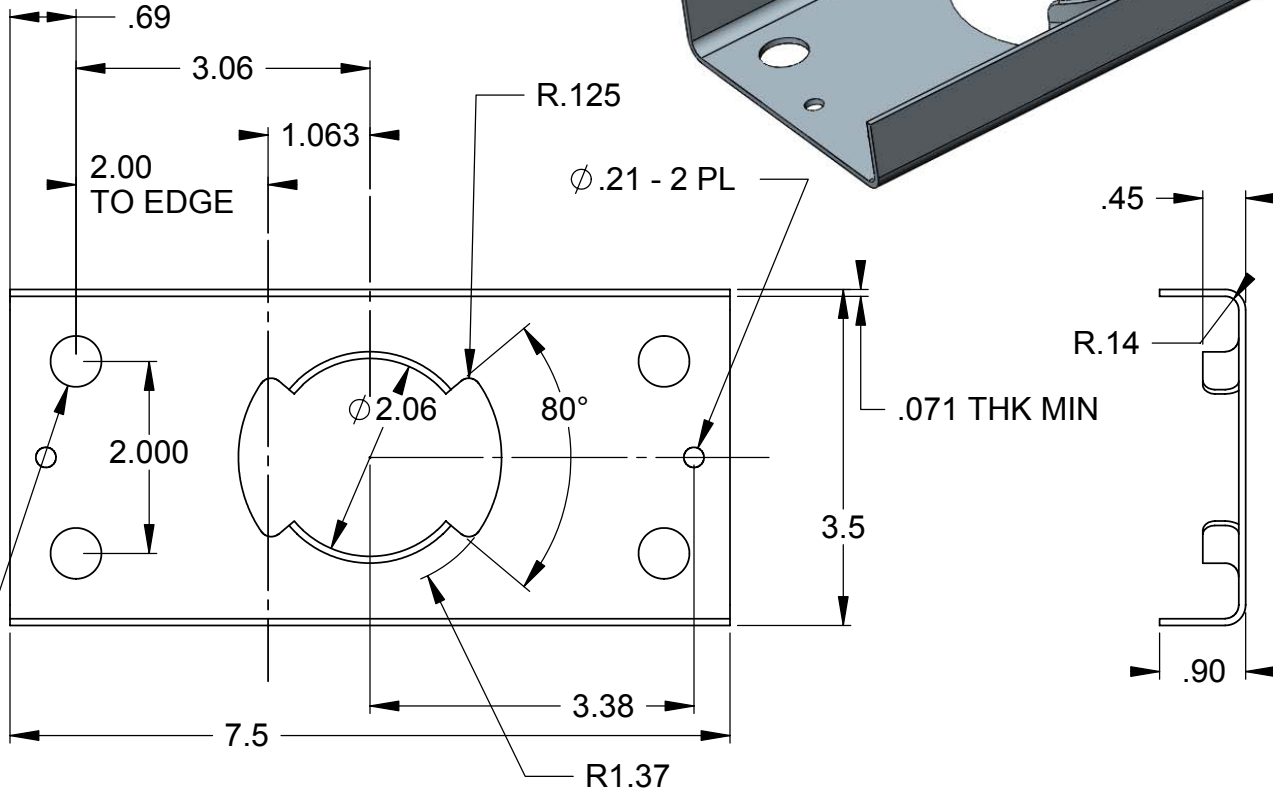
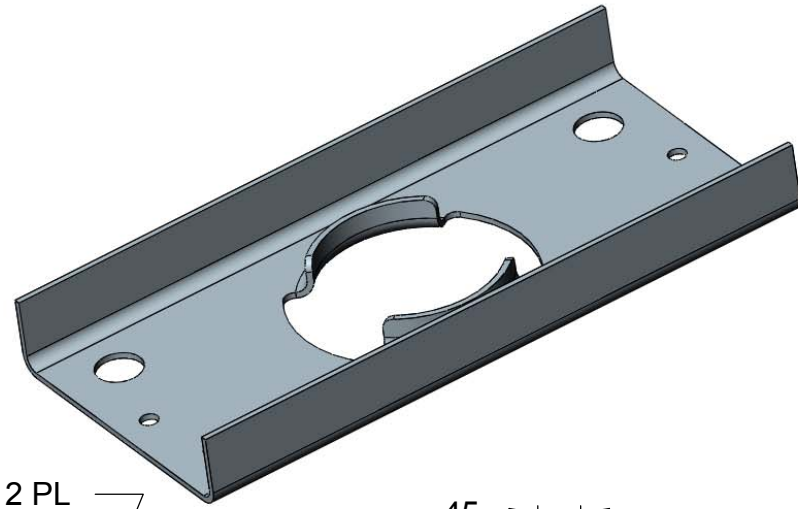


THE INFORMATION CONTAINED IN THIS DRAWING IS THE SOLE PROPERTY OF GREENFIELD MFG CO ANY REPRODUCTION IN PART OR WHOLE WITHOUT THE WRITTEN PERMISSION OF GREENFIELD MFG CO IS PROHIBITED.



**Made in USA**

UNLESS OTHERWISE SPECIFIED DIMENSIONS ARE IN INCHES		CAD GENERATED DRAWING, DO NOT MANUALLY UPDATE		<b>GREENFIELD MFG CO</b>	
TOLERANCES ARE:		APPROVALS		920 LEVICK ST , PHILA.,PA. 19111	
FRACTIONS	DECIMALS	ANGLES	DATE	1/06	
+/- 1/8	.XX +/- .03	.XX + 1	EG	1/06	
	.XXX +/- .01		SB	1/06	
MATERIAL				SINGLE STUDFIXER	
COM'L STEEL GALVANIZED				A P/N 534-1	
DO NOT SCALE DRAWING				REV.	
		SCALE		STD5341.SLDRW SHEET OF	