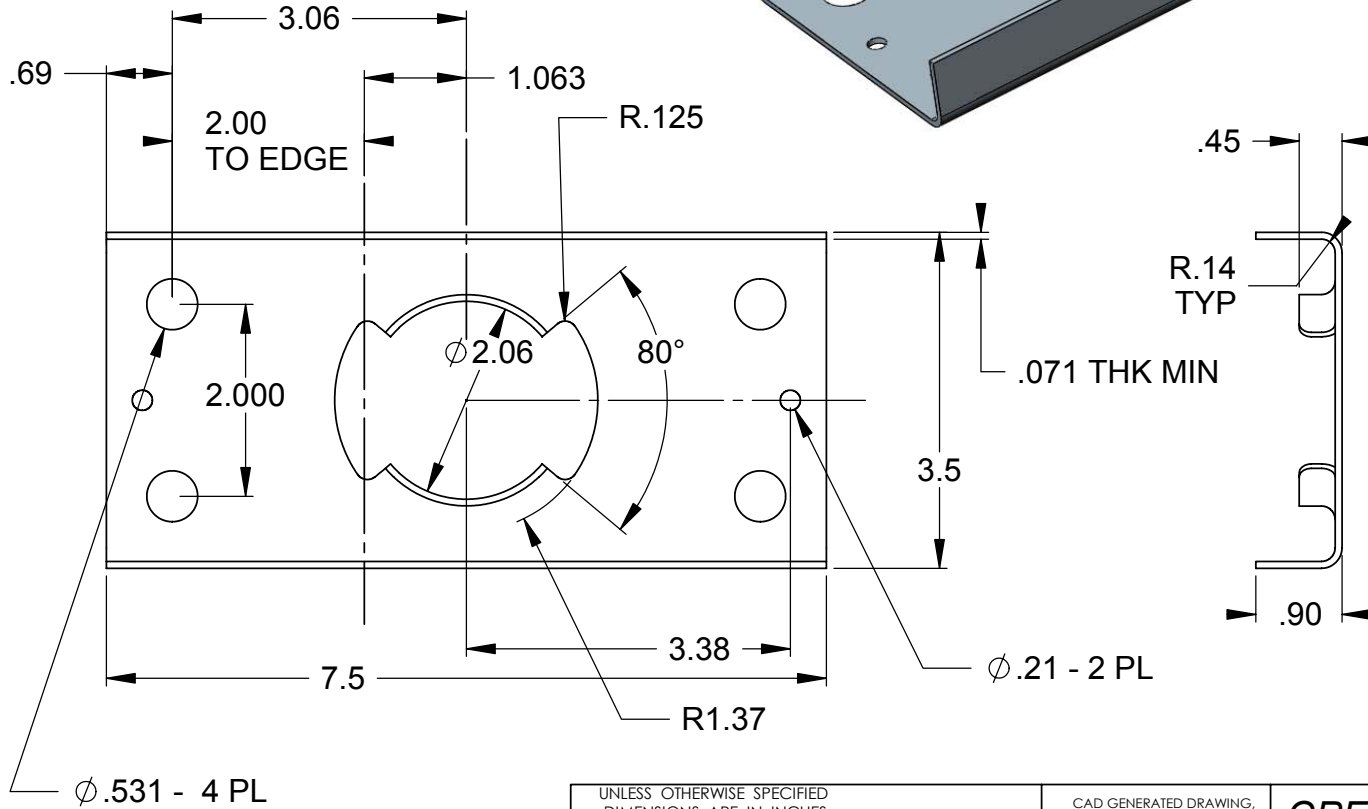
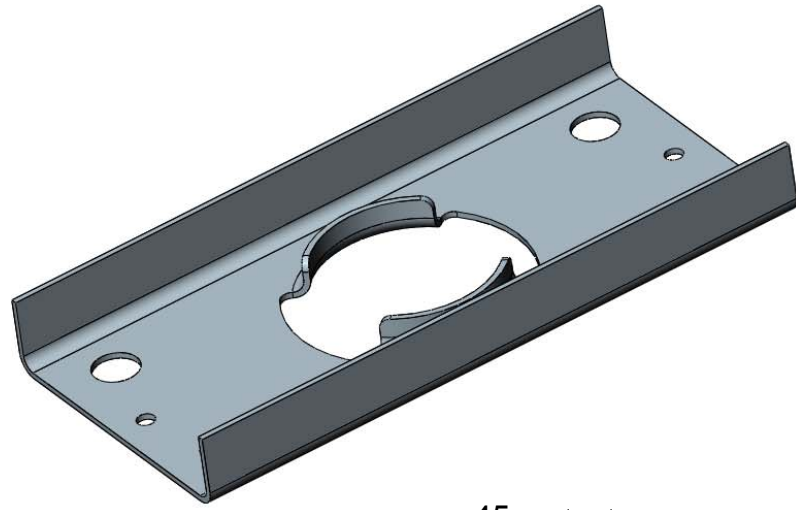


THE INFORMATION CONTAINED IN THIS DRAWING IS THE SOLE PROPERTY OF GREENFIELD MFG CO ANY REPRODUCTION IN PART OR WHOLE WITHOUT THE WRITTEN PERMISSION OF GREENFIELD MFG CO IS PROHIBITED.



**Made in USA**

|   |              |   |      |                                  |  |
|---|--------------|---|------|----------------------------------|--|
| UNLESS OTHERWISE SPECIFIED DIMENSIONS ARE IN INCHES |              | CAD GENERATED DRAWING, DO NOT MANUALLY UPDATE |      | <b>GREENFIELD MFG CO</b>         |  |
| TOLERANCES ARE:                                     |              | APPROVALS                                     | DATE | 920 LEVICK ST , PHILA.,PA. 19111 |  |
| FRACTIONS   | DECIMALS     | EG  | 1/06 | DOUBLE, TRIPLE STUDFIXER         |  |
| +/- 1/8   | .XX +/- .03  | SB  | 1/06 | A P/N 534-2,3                    |  |
|   | .XXX +/- .01 |   |      | REV.                             |  |
| MATERIAL  |              |   |      | SCALE                            |  |
| HSLA GRADE 40 STEEL GALVANIZED                      |              |   |      | STD53423.SLDRW SHEET OF          |  |
| DO NOT SCALE DRAWING                                |              |   |      |                                  |  |