

INSTALLATION DIRECTIONS FOR GM P/N 534 STUDFIXER

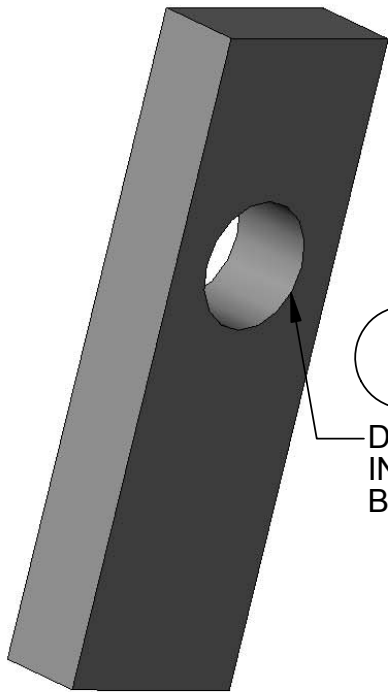
TM

STUDFIXER

2

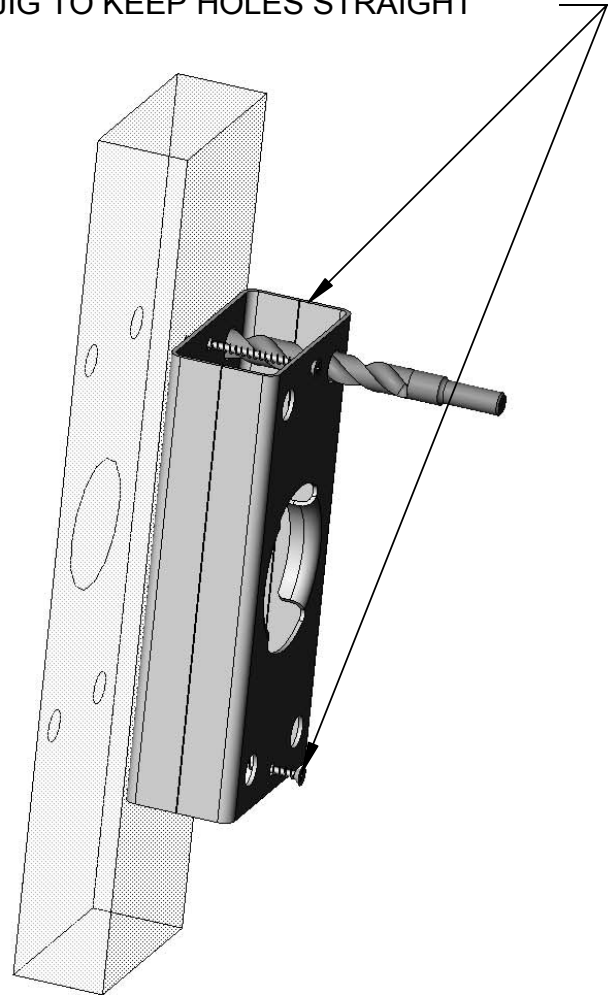
ATTACH DRILL JIG TO STUD WITH 2 DRY WALL SCREWS (A SHORT PIECE OF 1-1/2 PIPE WILL HELP TO ALIGN THE DRILL JIG)

DRILL 4- 17/32 HOLES WITH DRILL PROVIDED USING JIG TO KEEP HOLES STRAIGHT



1

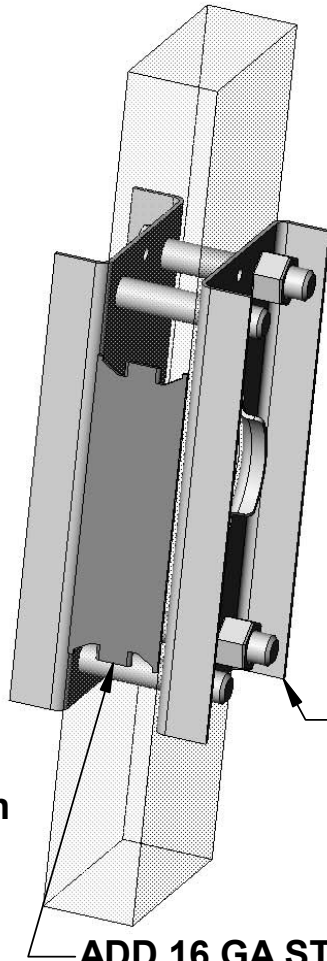
DRILL 2-1/16 HOLE IN CENTER OF BEAM AS SHOWN



3

REMOVE DRILL JIG AND ATTACH 2 BRACKETS WITH BOLTS AND NUTS PROVIDED IN KIT

TIGHTEN BOLTS 5 FT-LBS TORQUE (FIRMLY, BUT DO NOT DAMAGE THE WOOD)



ADD 16 GA STUD GUARD TO PROTECT PIPE

GREENFIELD MFG CO
920 LEVICK ST
PHILA, PA 19111-5498

for technical information
check our web site:
WWW.GFM.BIZ

COPYRIGHT 2005

©