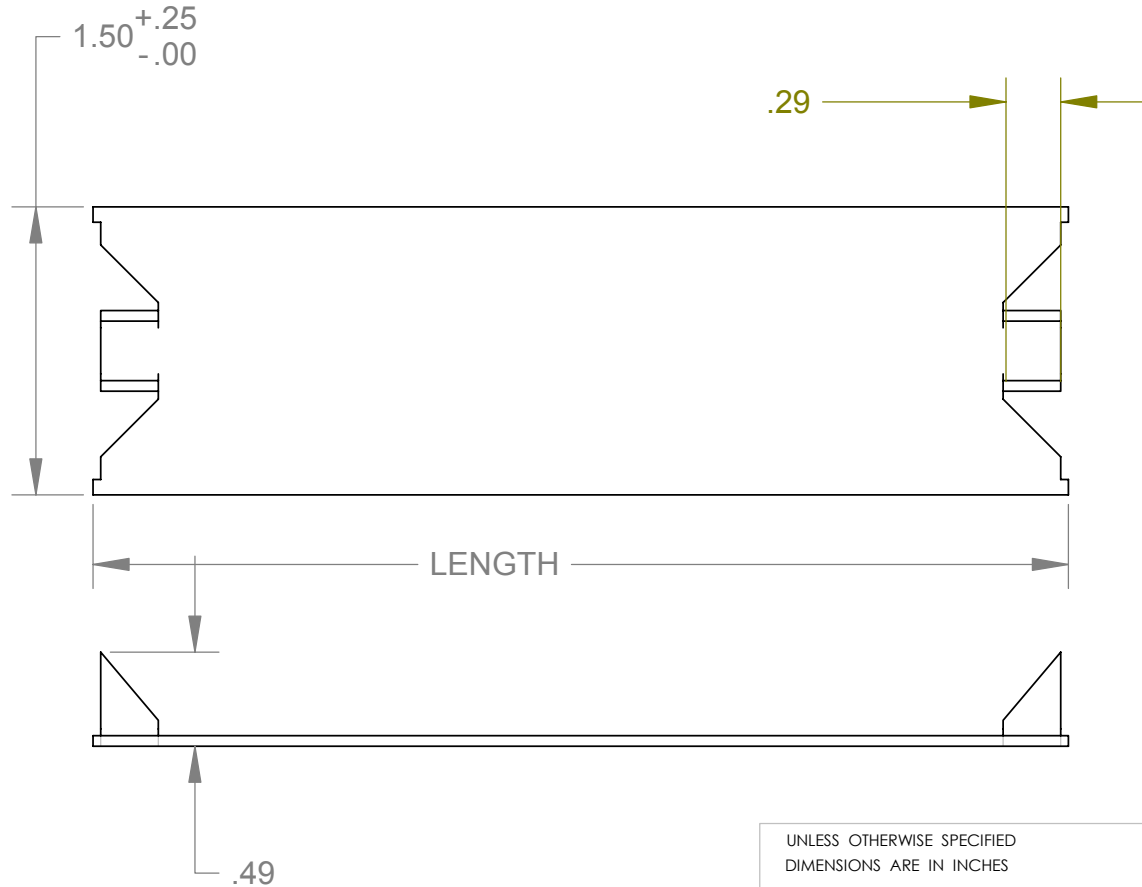
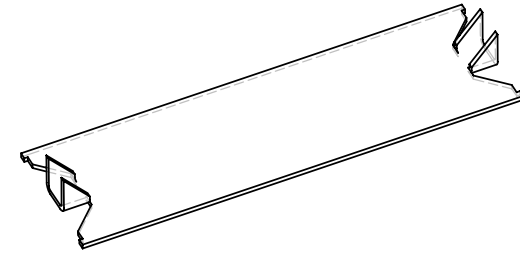


THE INFORMATION CONTAINED IN THIS DRAWING IS THE SOLE PROPERTY OF GREENFIELD MFG CO ANY REPRODUCTION IN PART OR WHOLE WITHOUT THE WRITTEN PERMISSION OF GREENFIELD MFG CO IS PROHIBITED.



LENGTHS AVAILABLE = 3, 5, 6

P/N= 536 - LENGTH  
EXAMPLE: 536 - 6  
FOR 6 INCH PART

**Made in USA**

UNLESS OTHERWISE SPECIFIED DIMENSIONS ARE IN INCHES TOLERANCES ARE: +/- .03	CAD GENERATED DRAWING, DO NOT MANUALLY UPDATE		<b>GREENFIELD MFG CO</b>	
	APPROVALS	DATE	920 LEVICK ST , PHILA.,PA. 19111	
MATERIAL <b>16 GA .053 MIN</b>	DRAWN EG		P/N	<b>STUD GUARD</b>
FINISH	CHECKED SB		A	<b>FIG 536</b> REV.
DO NOT SCALE DRAWING	SCALE	CAD FILE:	SHEET	OF