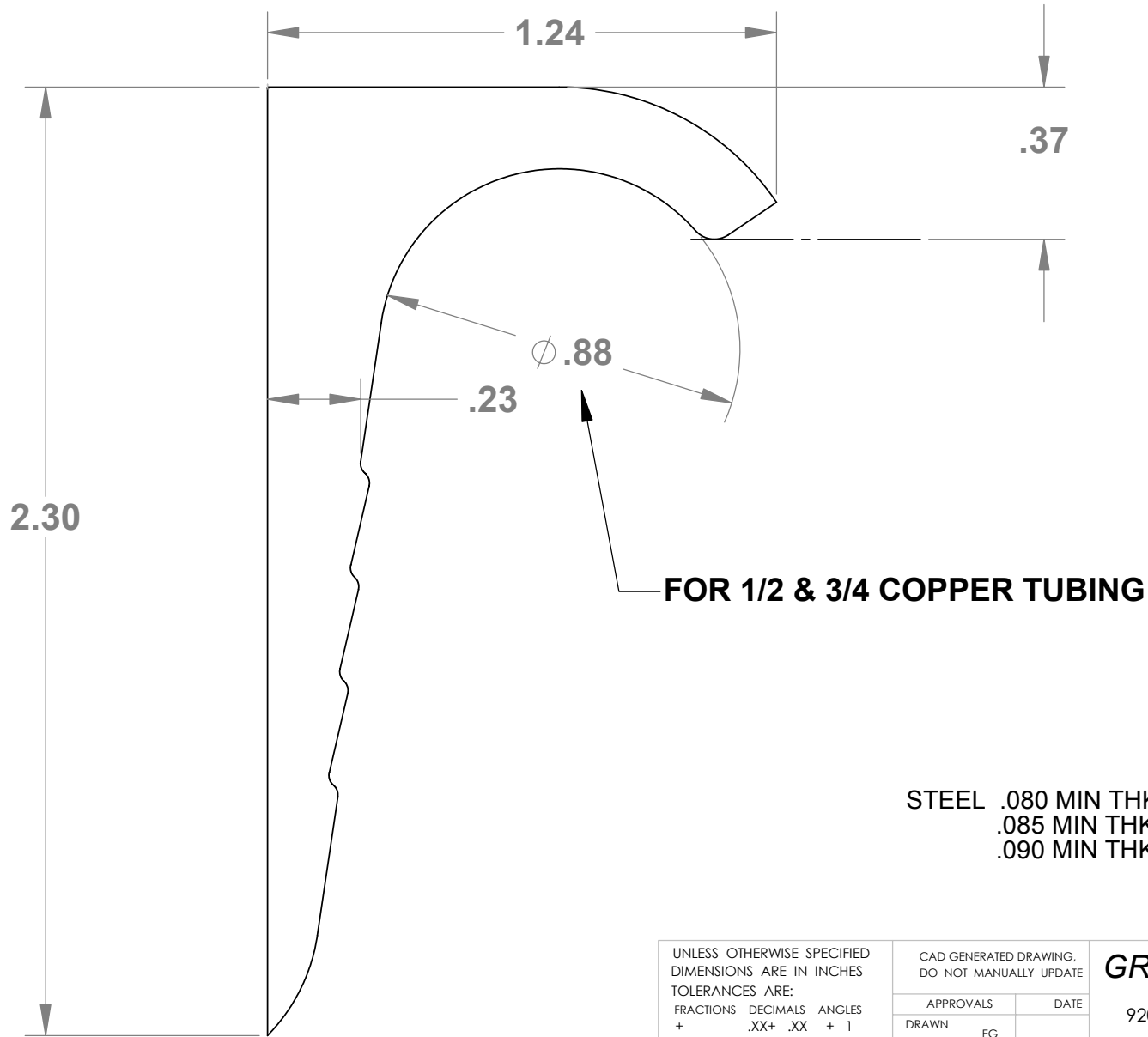


THE INFORMATION CONTAINED IN THIS DRAWING IS THE SOLE PROPERTY OF GREENFIELD MFG CO ANY REPRODUCTION IN PART OR WHOLE WITHOUT THE WRITTEN PERMISSION OF GREENFIELD MFG CO IS PROHIBITED.



STEEL .080 MIN THK Rb 90 MIN
 .085 MIN THK Rb 85 MIN
 .090 MIN THK Rb 80 MIN

Made in USA

UNLESS OTHERWISE SPECIFIED DIMENSIONS ARE IN INCHES TOLERANCES ARE: FRACTIONS DECIMALS ANGLES + .XX+ .XX + 1 .XXX+.XXX	CAD GENERATED DRAWING, DO NOT MANUALLY UPDATE		GREENFIELD MFG CO	
	APPROVALS	DATE	920 LEVICK ST , PHILA.,PA. 19111	
	DRAWN EG		P/N FIG 540	
MATERIAL	CHECKED SB	SEE NOTE		A J TUBE NAILER 1/2 OR 3/4
FINISH COPPER PLATED				REV.
DO NOT SCALE DRAWING	SCALE	CAD FILE: JHK540.SLDDRW	SHEET	OF

8 7 6 5 4 3 2 1

8 7 6 5 4 3 2 1

D
C
B
A