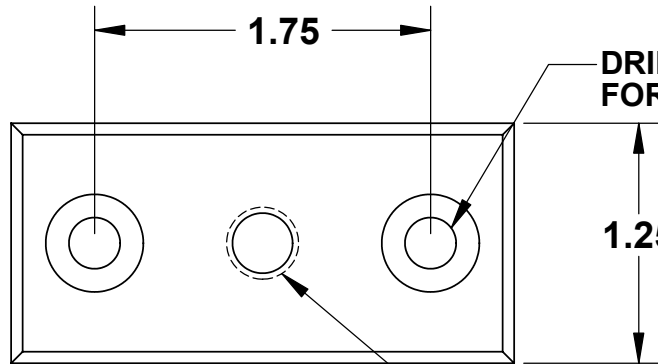
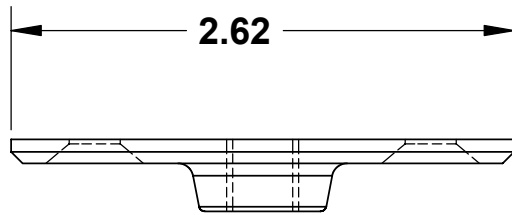
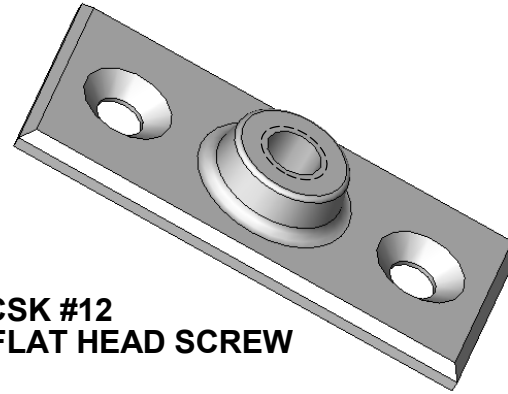


THE INFORMATION CONTAINED IN THIS DRAWING IS THE SOLE PROPERTY OF GREENFIELD MFG CO ANY REPRODUCTION IN PART OR WHOLE WITHOUT THE WRITTEN PERMISSION OF GREENFIELD MFG CO IS PROHIBITED.



**DRILL & CSK #12
FOR #12 FLAT HEAD SCREW**

**DRILL & TAP
3/8 - 16 UNC- 2B 208-3/8
1/2 - 13 UNC - 2B 208-1/2**



IMPORTED

**MAX REC. LOAD = 180 LBS
FOR 1/2 & 3/8 THREAD**

UNLESS OTHERWISE SPECIFIED DIMENSIONS ARE IN INCHES TOLERANCES ARE: FRACTIONS DECIMALS ANGLES +/- 1/8 .XX +/- .03 .XX + 1 .XXX +/- .01	CAD GENERATED DRAWING, DO NOT MANUALLY UPDATE		GREENFIELD MFG CO	
	APPROVALS	DATE	9800 Bustleton Ave, Phila, PA 19115	
MATERIAL	DRAWN	EG	P/N HANGER FLANGE	
DUCTILE IRON ZINC PLATED FINISH	CHECKED	SB	A	FIG 821 REV.
DO NOT SCALE DRAWING	SCALE	CAD FILE:	FIG 821.SLDDRW	SHEET OF