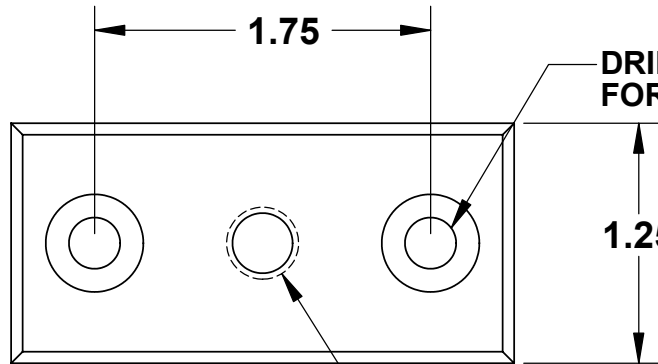
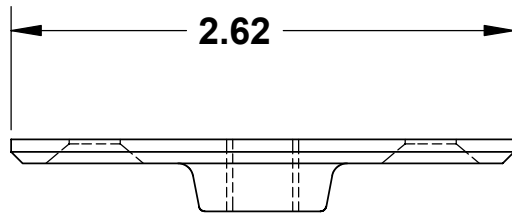
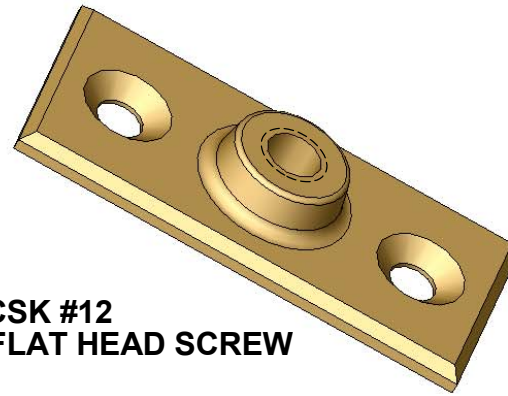


THE INFORMATION CONTAINED IN THIS DRAWING IS THE SOLE PROPERTY OF GREENFIELD MFG CO ANY REPRODUCTION IN PART OR WHOLE WITHOUT THE WRITTEN PERMISSION OF GREENFIELD MFG CO IS PROHIBITED.



DRILL & CSK #12 FOR #12 FLAT HEAD SCREW

DRILL & TAP 3/8 - 16 UNC -2B



IMPORTED

MAX REC. LOAD = 180 LBS

*** ZINC PLATED PLUS
A BAKED COPPER COLORED EPOXY
POWDER FINISH**

UNLESS OTHERWISE SPECIFIED DIMENSIONS ARE IN INCHES		CAD GENERATED DRAWING, DO NOT MANUALLY UPDATE		GREENFIELD MFG CO	
TOLERANCES ARE:		APPROVALS	DATE	920 LEVICK ST , PHILA.,PA. 19111	
FRACTIONS	DECIMALS	ANGLES			
+/- 1/8	.XX +/- .03	.XX + 1			
	.XXX +/- .01				
MATERIAL		CHECKED	SB	P/N HANGER FLANGE	
DUCTILE IRON COPPER EPOXY FINISH *				A	FIG 822 REV.
DO NOT SCALE DRAWING				SCALE	CAD FILE: FIG 822.SLDDRW SHEET OF