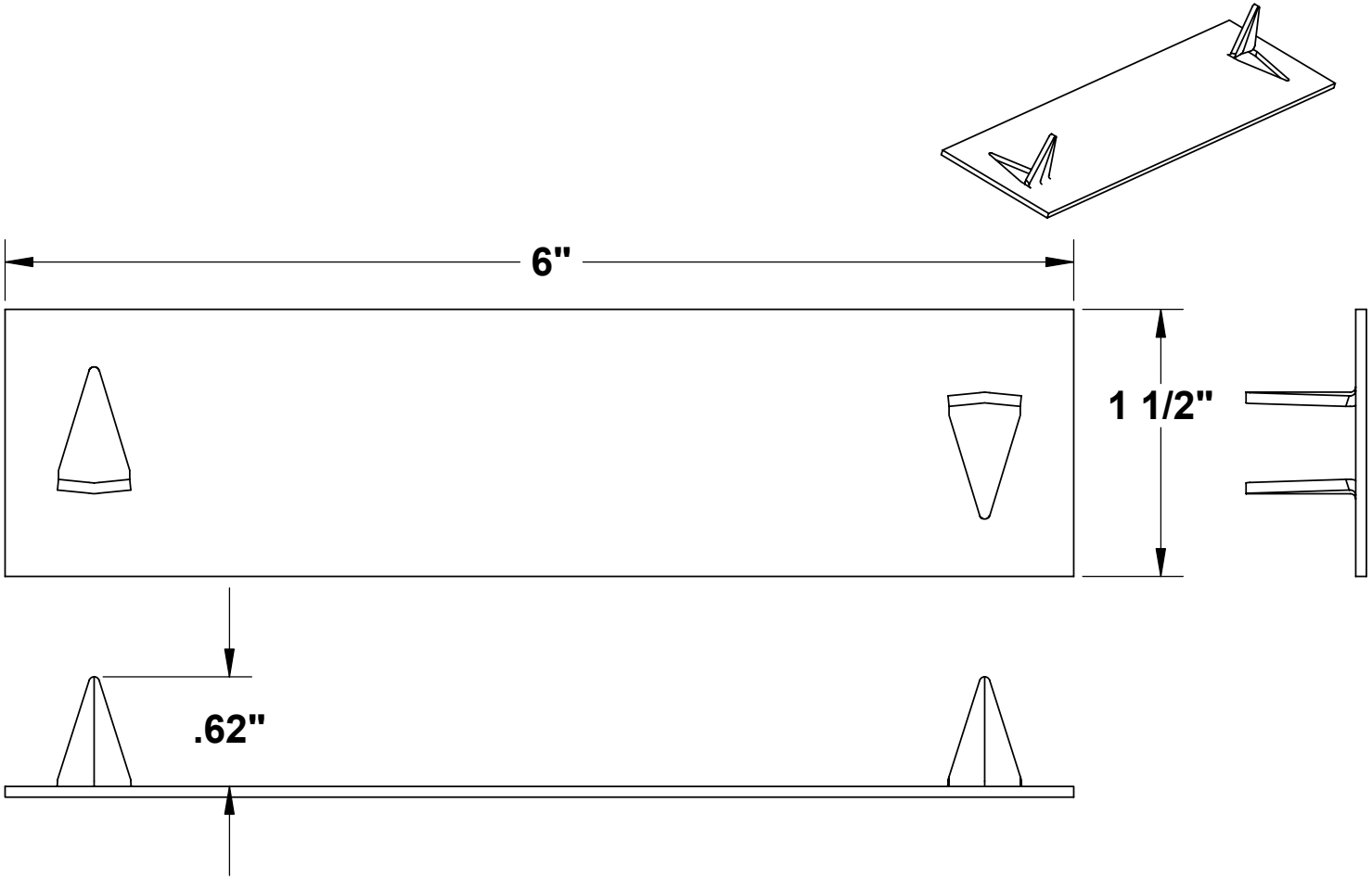


THE INFORMATION CONTAINED IN THIS DRAWING IS THE SOLE PROPERTY OF GREENFIELD MFG CO ANY REPRODUCTION IN PART OR WHOLE WITHOUT THE WRITTEN PERMISSION OF GREENFIELD MFG CO IS PROHIBITED.



Made in USA

P/N	MATERIAL GAGE
922-16	16
922-18	18
922-20	20

UNLESS OTHERWISE SPECIFIED DIMENSIONS ARE IN INCHES	
TOLERANCES ARE:	
FRACTIONS	DECIMALS
+/- 1/8	.XX +/- .03
	.XXX +/- .01
ANGLES	
	.XX + 1
MATERIAL	
STEEL	
DO NOT SCALE DRAWING	

CAD GENERATED DRAWING, DO NOT MANUALLY UPDATE	
APPROVALS	DATE
DRAWN EG	1/05
CHECKED SB	1/05

GREENFIELD MFG CO	
920 LEVICK ST , PHILA.,PA. 19111	
P/N	FIG 922 -X
INTERLOCKING (BEER CAN TYPE) STUD GUARD	
SCALE	CAD FILE: 922.SLDDRW