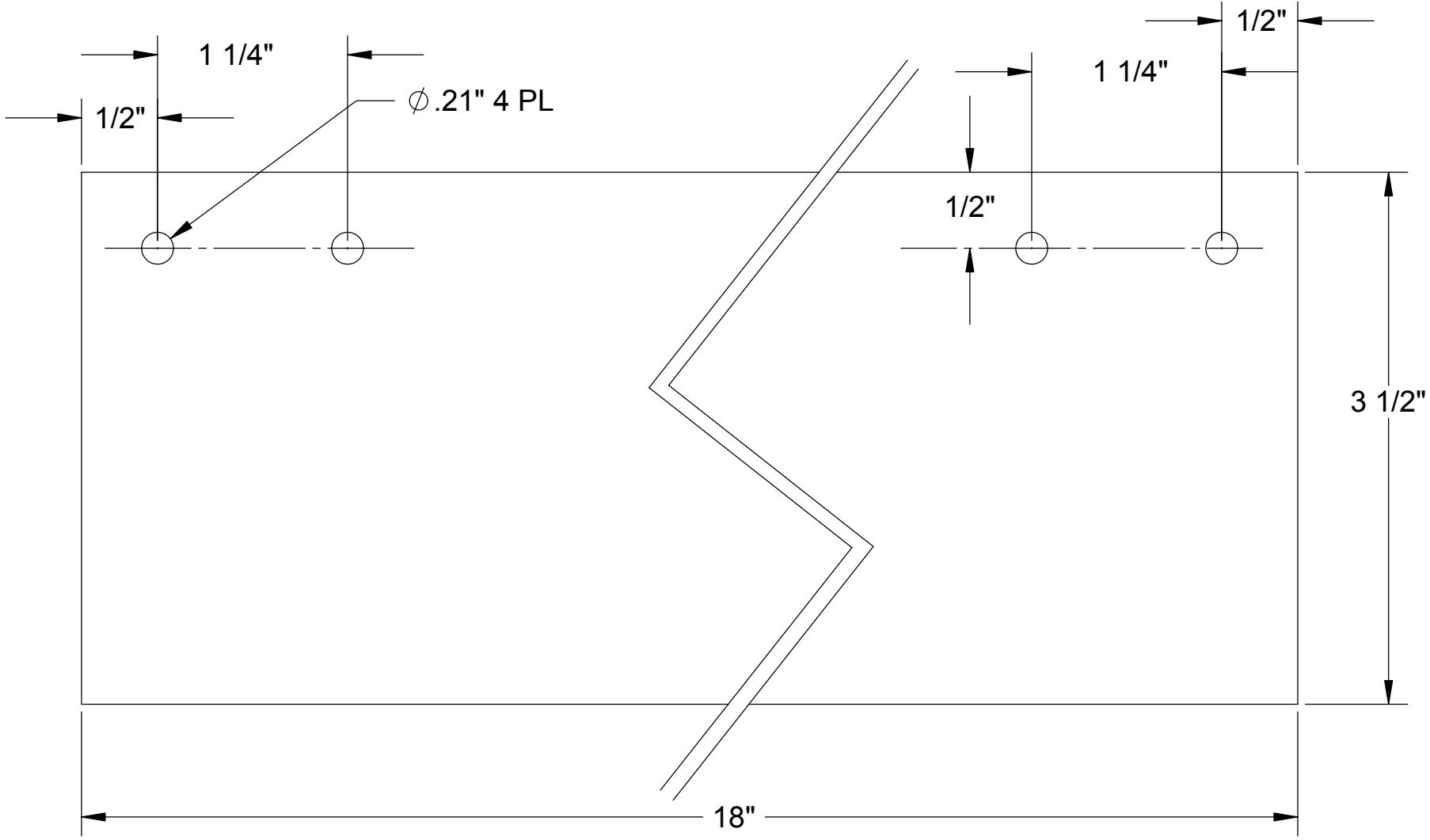


THE INFORMATION CONTAINED IN THIS DRAWING IS THE SOLE PROPERTY OF GREENFIELD MFG CO ANY REPRODUCTION IN PART OR WHOLE WITHOUT THE WRITTEN PERMISSION OF GREENFIELD MFG CO IS PROHIBITED.



**Made in USA**

UNLESS OTHERWISE SPECIFIED DIMENSIONS ARE IN INCHES		CAD GENERATED DRAWING, DO NOT MANUALLY UPDATE		<b>GREENFIELD MFG CO</b>	
TOLERANCES ARE:		APPROVALS	DATE	9800 Bustleton Ave, Phila, PA 19115	
FRACTIONS	DECIMALS	EG	1/05	P/N PROTECTOR PLATE	
+/- 1/8	.XX +/- .03	SB	1/05	A	FIG 935 - 18
	.XXX +/- .01				REV.
MATERIAL				SCALE	
STEEL 16 GA.				CAD FILE:	
DO NOT SCALE DRAWING				SHEET OF	