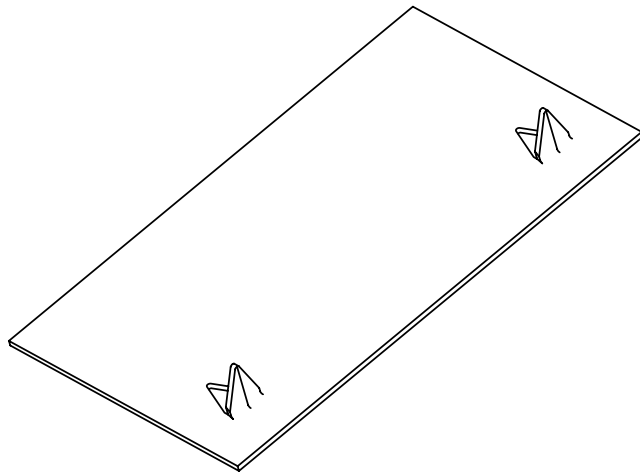
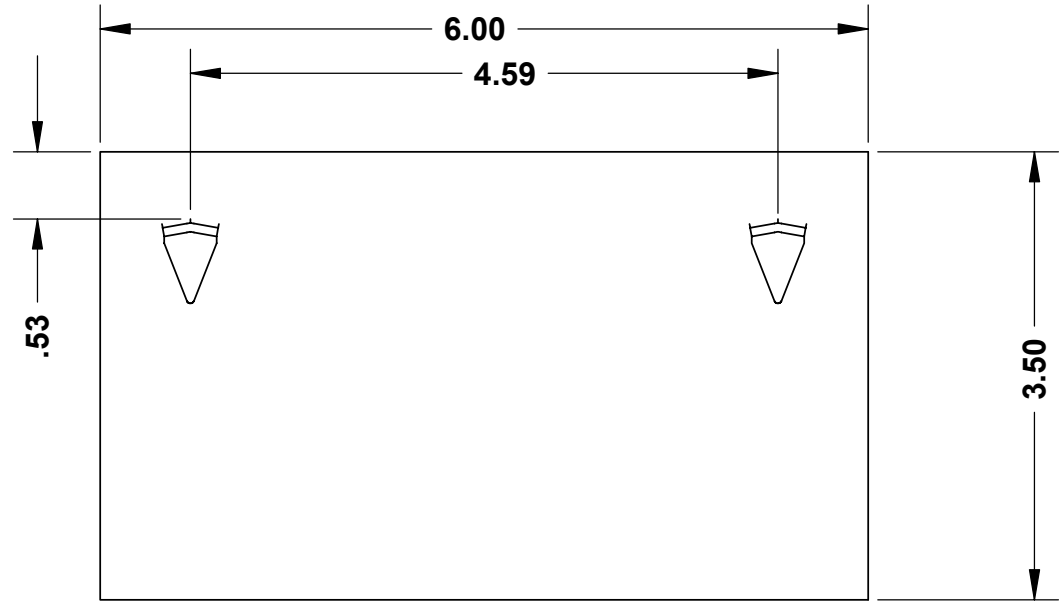
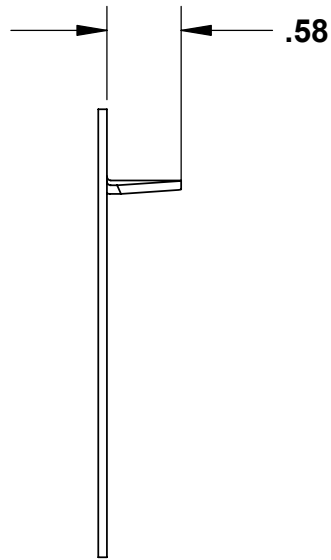


THE INFORMATION CONTAINED IN THIS DRAWING IS THE SOLE PROPERTY OF GREENFIELD MFG ANY REPRODUCTION IN PART OR WHOLE WITHOUT THE WRITTEN PERMISSION OF GREENFIELD MFG IS PROHIBITED



made in USA

UNLESS OTHERWISE SPECIFIED DIMENSIONS ARE IN INCHES TOLERANCES ARE : FRACTIONS DECIMALS ANGLES + .XX+ .XX +1 XXX+.XXX	CAD GENERATED DWG. DO NOT MANUALLY UPDATE		GREENFIELD MFG CO 920 LEVICK ST PHILA . PA. 19111		
	APPROVALS	DATE			
	DRAWN MG				
	CHECKED SB		P/N	3.5 X 6 BOCA PLATE	
MATERIAL	STEEL -16 GAGE	12/12	A	FIG 936	REV.
FINISH	NONE				
DO NOT SCALE DRAWING		CAD FILE FIG936 BOCA		SHEET 1 OF 1	